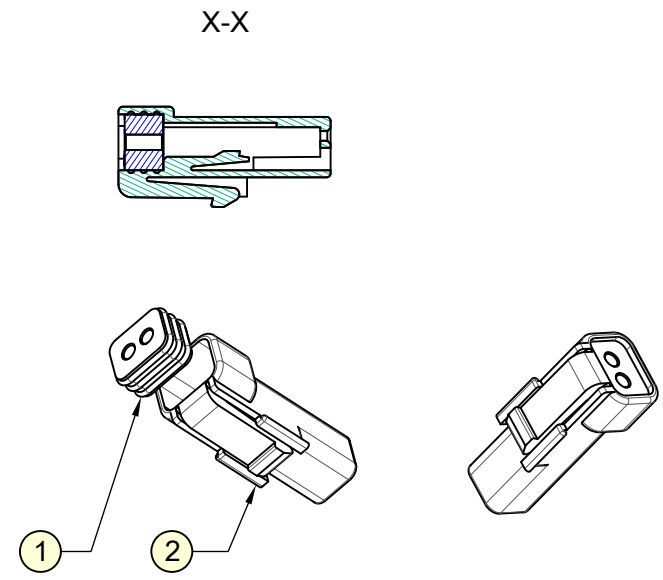
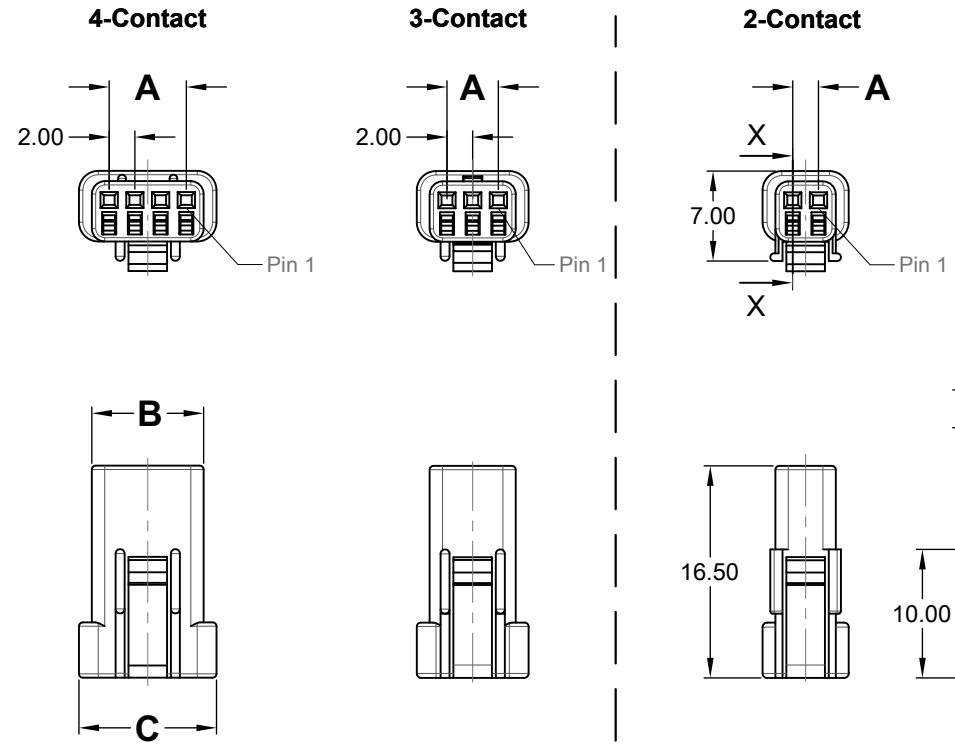


| REV. | DESCRIPTION | DATE | DRAWN |
|------|-------------------------------|------------|--------|
| A | New | 20.08.2019 | Cheng |
| B | General update | 26.11.2019 | Cheng |
| C | Add dimension; general update | 02.09.2021 | Cherry |



Order Code
WWR-xxx-67-09-A/2

No. of Contacts: **002 to 004**
 load with contact: **WWR-999/25-99-A**
 mate with: **WWP-xxx-67-09-A/2** Male Housing



Specifications

Electrical
 Current rating: 3A AC/DC per contact
 Insulation resistance: 1000MΩ min.
 Voltage rating: 250V AC/DC
 Withstanding voltage: 1500V AC

Mechanical Requirements

Waterproof grade: IPX7 of IEC 60529
 Operating temperature: -40°C to 105°C

| No. of Contacts | Dimension mm | | |
|-----------------|--------------|-----|------|
| | A | B | C |
| 002 | 2.0 | 4.7 | 6.7 |
| 003 | 4.0 | 6.7 | 8.7 |
| 004 | 6.0 | 8.7 | 10.7 |

| Item | Part Name | Materials / Finish(Color) | Q'TY |
|------|-------------|---------------------------|------|
| 1 | Gasket Plug | Silicone / Light Blue | 1 |
| 2 | Body | PBT + 15%GF / White | 1 |

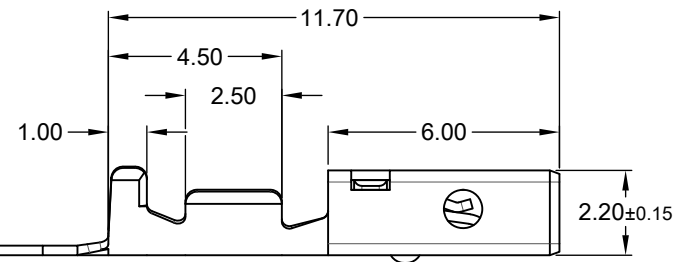
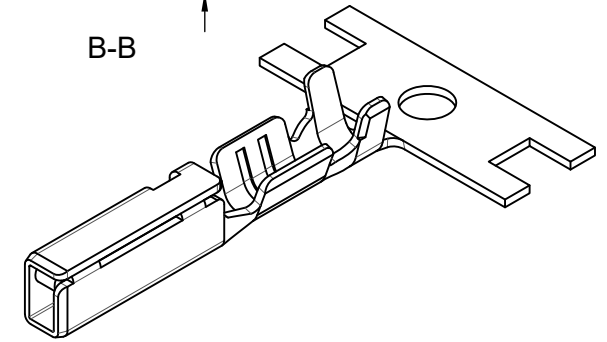
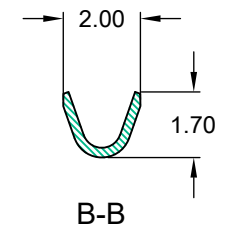
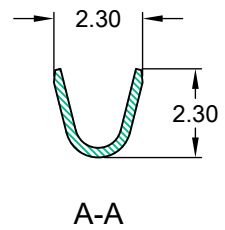
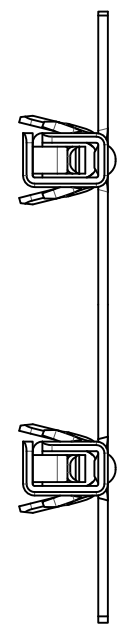
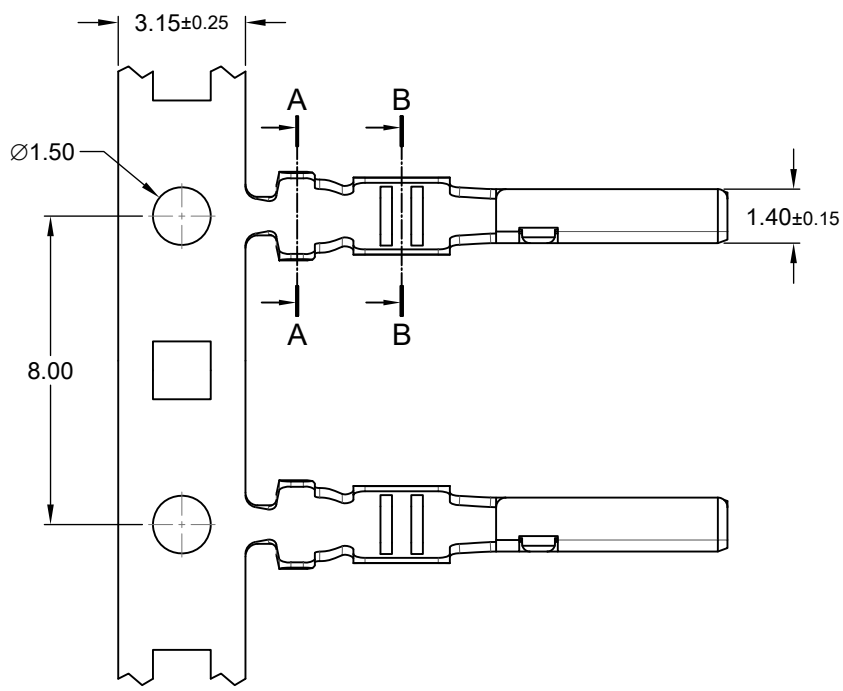
E-tec 2021 © - all rights reserved www.e-tec.asia



| UNIT | SCALE | GENERAL TOLERANCE | DRAWN | DATE | DWG. NO. | SHEET 1/2 |
|------|-------|-------------------|-------|------------|-------------------|-----------|
| mm | Free | X.° ± | Cheng | 20.08.2019 | WWR-67-09-A/2 | REV. C |
| | | .X° ± | Cheng | 02.09.2021 | SERIES NO. | |
| | | .XX° ± | Fagi | 02.09.2021 | WWR-xxx-67-09-A/2 | |
| | | .XXX° ± | | | | |

Wire to Wire Connector
 2/3/4-Contact Female Housing
 2.00mm Pitch - Waterproof

| REV. | DESCRIPTION | DATE | DRAWN |
|------|-------------------------------|------------|--------|
| A | New | 21.08.2019 | Cheng |
| B | General update | 26.11.2019 | Cheng |
| C | Add dimension; general update | 02.09.2021 | Cherry |



Order Code
WWR-999/25-99-A



Specifications

Electrical
 Current rating: 3A AC/DC(AWG #22)
 Insulation resistance: 1000MΩ min.
 Contact resistance: Initial value 10mΩ max.
 After environmental testing 20mΩ max.
 Voltage rating: 250V AC/DC
 Withstanding voltage: 1500V AC/ Minute

Material

Contact: Phosphor Bronze t=0.25mm
 Plating: Sn over Ni

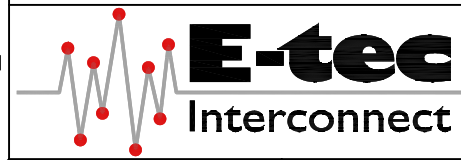
Operating temperature: -40°C to +105°C

Accept wire range: AWG #22-#24

Packing

Reel: 10,000 pcs./reel

E-tec 2021 © - all rights reserved www.e-tec.asia



| UNIT | mm | GENERAL TOLERANCE | | DRAWN | DATE | DWG. NO. | SHEET 2/2 |
|-------|------|-------------------|------------|-------|------------|-----------------|-----------|
| SCALE | Free | X.° ± | X. ± | Cheng | 21.08.2019 | WWR-999/25-99-A | REV. C |
| | | .X° ± | .X ± | Cheng | 02.09.2021 | SERIES NO. | |
| | | .XX° ± | .XX ± 0.40 | Fagi | 02.09.2021 | WWR-999/25-99-A | |
| | | .XXX° ± | .XXX ± | | | | |

Female Crimp Contact
 load in Housing
 WWR-xxx-67-09-A/2