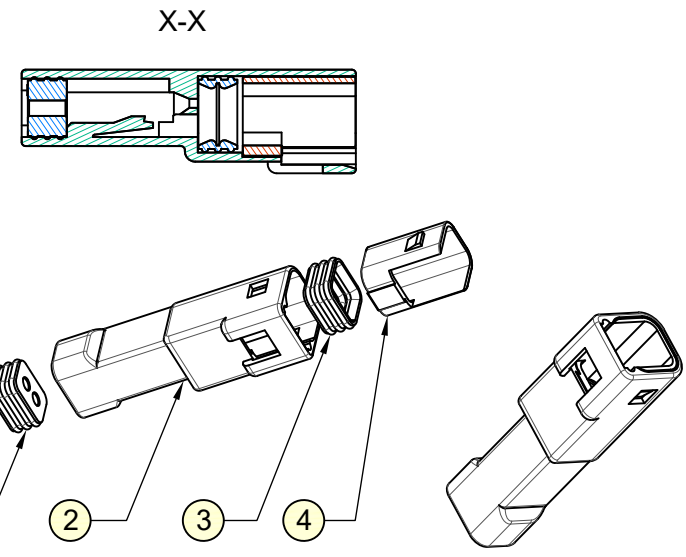
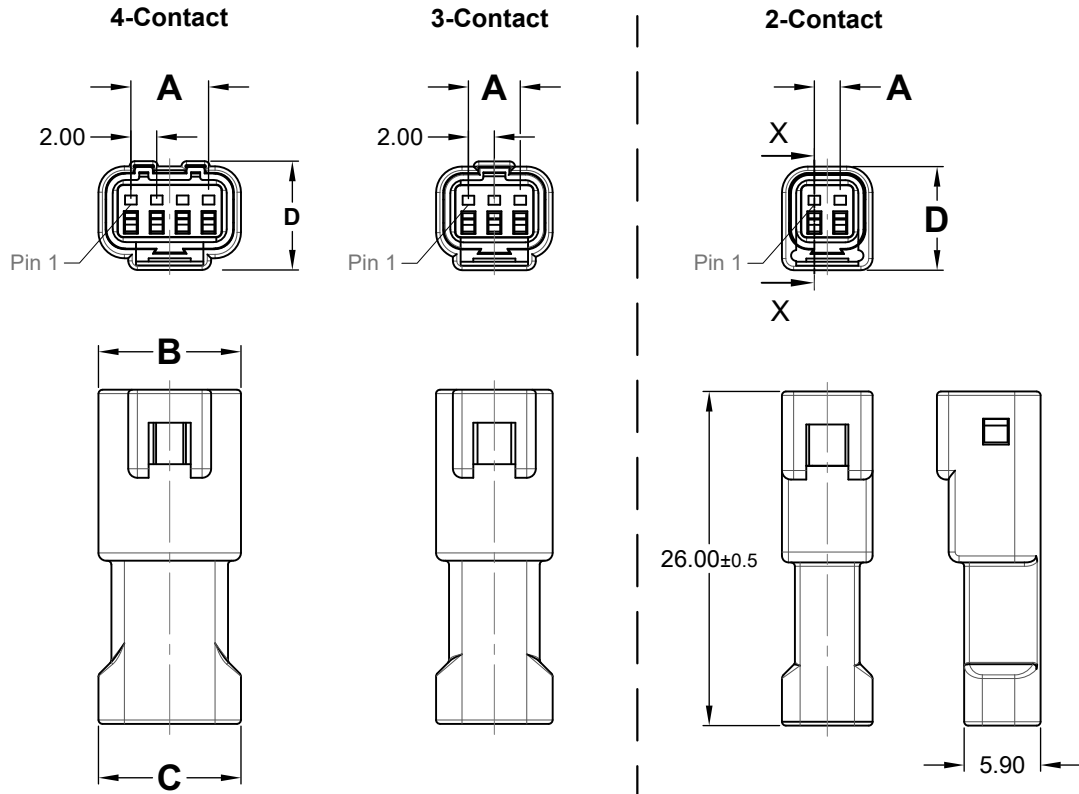


REV.	DESCRIPTION	DATE	DRAWN
A	New	20.08.2019	Cheng
B	General update	26.11.2019	Cheng
C	Add dimension; general update	02.09.2021	Cherry



**Order Code**  
**WWP-xxx-67-09-A/2**

No. of Contacts  
**002 to 004**

load with contact:  
**WWP-999/25-99-A**

mate with:  
**WWR-xxx-67-09-A/2** Female Housing



**Specifications**

**Electrical**  
 Current rating: 3A AC/DC per contact  
 Insulation resistance: 1000MΩ min.  
 Voltage rating: 250V AC/DC  
 Withstanding voltage: 1500V AC

**Mechanical Requirements**  
 Waterproof grade: IPX7 of IEC 60529  
 Operating temperature: -40°C to 105°C

No. of Contacts	Dimension mm			
	A	B	C	D
<b>002</b>	2.0	7.0	7.0	8.1
<b>003</b>	4.0	9.0	9.0	8.4
<b>004</b>	6.0	11.0	11.0	8.4

Item	Part Name	Materials / Finish(Color)	Q'TY
<b>1</b>	Gasket Plug	Silicone / Light Blue	1
<b>2</b>	Body	PBT + 15%GF / White	1
<b>3</b>	Gasket Ring	Silicone / Blue	1
<b>4</b>	Cover	PBT + 15%GF / Orange	1

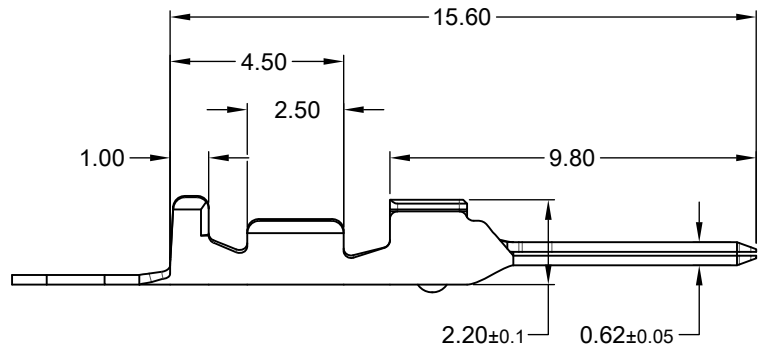
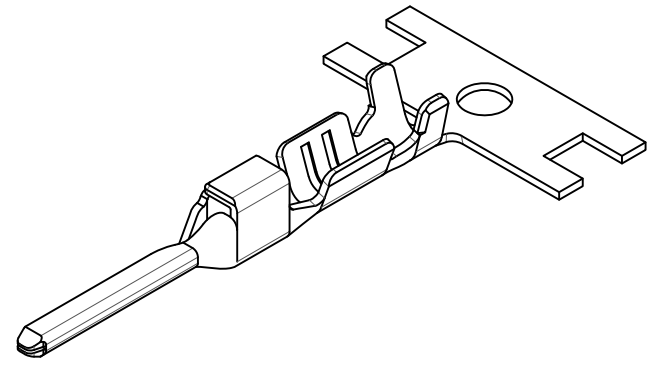
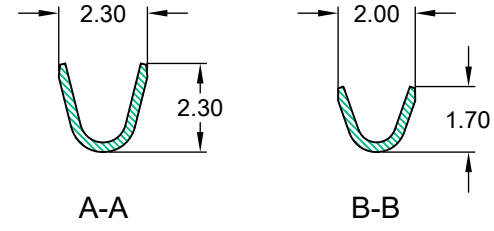
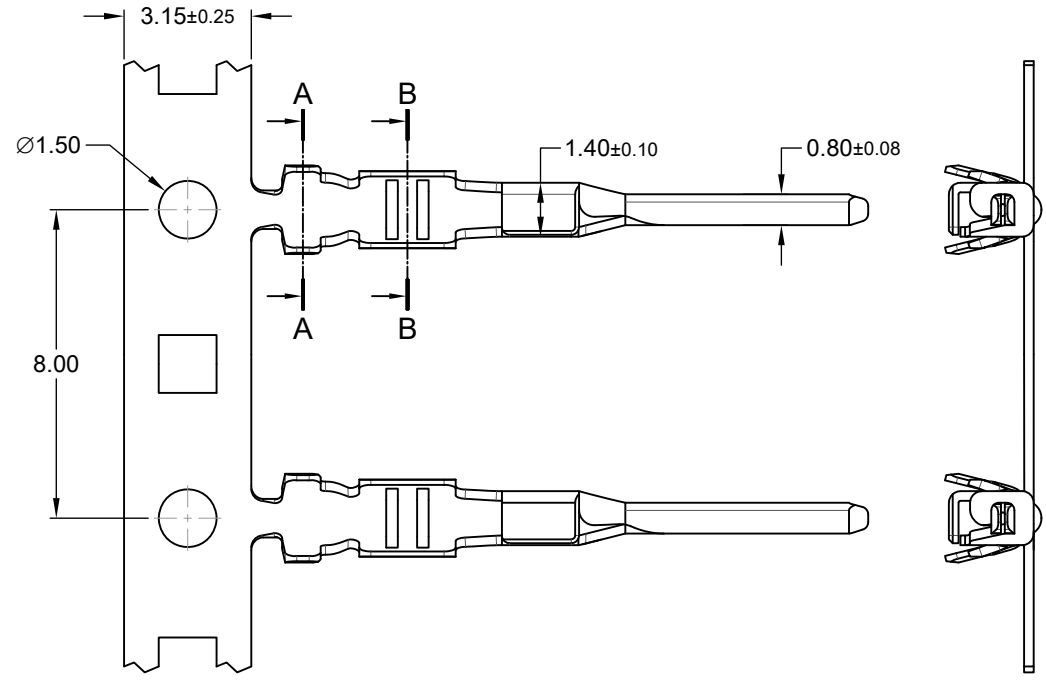
E-tec 2021 © - all rights reserved www.e-tec.asia



UNIT	GENERAL TOLERANCE		DRAWN	DATE	DWG. NO.	SHEET 1/2
mm	X.° ±	X. ±	Cheng	20.08.2019	WWP-67-09-A/2	REV. C
SCALE Free	.X° ±	.X ±	Cheng	02.09.2021		
	.XX° ±	.XX ± 0.40	APPROVE	DATE	SERIES NO.	
	.XXX° ±	.XXX ±	Fagi	02.09.2021	WWP-xxx-67-09-A/2	

**Wire to Wire Connector**  
**2/3/4-Contact Male Housing**  
**2.00mm Pitch - Waterproof**

REV.	DESCRIPTION	DATE	DRAWN
A	New	21.08.2019	Cheng
B	General update	26.11.2019	Cheng
C	Add dimension; general update	02.09.2021	Cherry



**Order Code**  
**WWP-999/25-99-A**



**Specifications**

**Electrical**  
 Current rating: 3A AC/DC(AWG #22)  
 Insulation resistance: 1000MΩ min.  
 Contact resistance: Initial value 10mΩ max.  
 After environmental testing 20mΩ max.  
 Voltage rating: 250V AC/DC  
 Withstanding voltage: 1500V AC/ Minute

**Material**  
 Contact: Phosphor Bronze t=0.25mm  
 Plating: Sn over Ni  
 Operating temperature: -40°C to +105°C  
 Accept wire range: AWG #22-#24  
**Packing**  
 Reel: 10,000 pcs./reel

E-tec 2021 © - all rights reserved www.e-tec.asia



UNIT	SCALE	GENERAL TOLERANCE	DRAWN	DATE	DWG. NO.	SHEET 2/2
mm	Free	X.° ±	Cheng	21.08.2019	WWP-999/25-99-A	REV. C
		.X° ±	Cheng	02.09.2021	SERIES NO.	
		.XX° ±	Fagi	02.09.2021	WWP-999/25-99-A	
		.XXX° ±				

**Male Crimp Contact**  
 load in Housing  
**WWP-xxx-67-09-A/2**