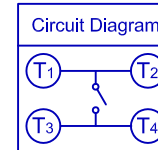


REV.	DESCRIPTION	DATE	DRAWN
A	NEW	12.11.2010	Ronny
B	correct-temp.	10.01.2011	Ronny
C	update RoHS; add Stem options	24.11.2014	Ronny

Order Code TSS-602-SxxNT/1SZ

Stem height Option ("H")

- 61** = 0.80 mm
- 62** = 1.50 mm
- 63** = 3.50 mm
- 65** = 6.00 mm
- 66** = 9.50 mm

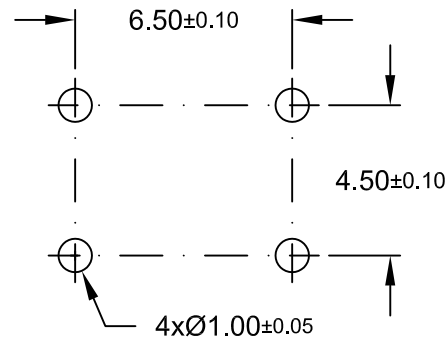
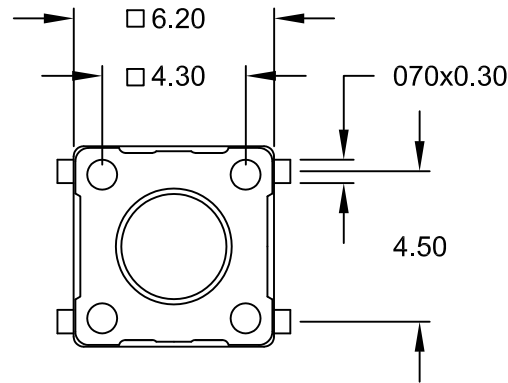


Specifications

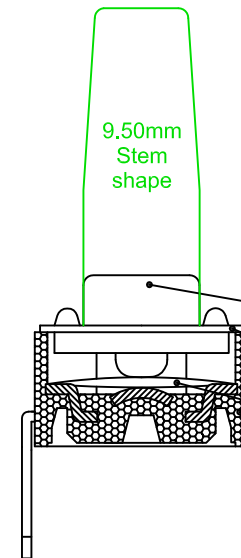
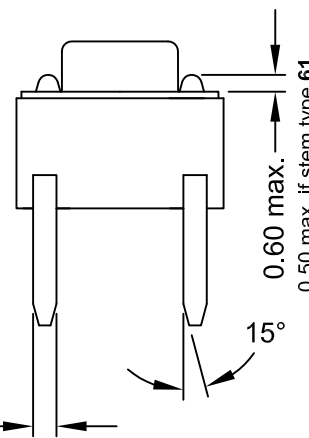
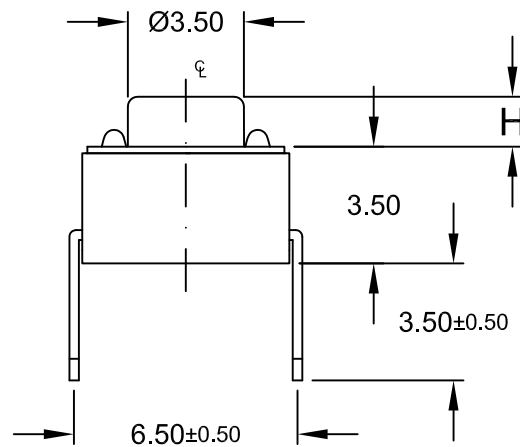
Electrical

Current rating: 50mA, 12V DC
 Insulation resistance: 100MΩ min.
 Withstanding voltage: 50V AC (50Hz or 60Hz) 1Minute
 Contact resistance: 100mΩ max.
 Temperature range: -40°C to +85°C
 Solder heat resistance: +255°C +0/-5°C
 for 5 to 10 seconds
 Operating force: 1.6N ±0.50N

ITEM	DESC.	MATERIALS	TREATMENT
1	Stem	Nylon UL 94V-0	1.6N = brown (colour depend on operating force)
2	Cover	stainless steel	none
3	Contact	Phosphor Bronze	with Silver cladding
4	Base	Nylon UL 94V-0	molded black
5	Terminal	Brass	with Silver plating 0.5µm



Recommended PCB Layout
(Top View)



UNIT	mm	GENERAL TOLERANCE		DRAWN	DATE	DWG. NO.	SHEET 1/1
SCALE	Free	X.° ±	X. ±	Ronny	12.11.2010	TSS-6NT/1SZ	REV. C
		.XX° ±	.XX ± 0.20	Hogi	24.11.2014	SERIES NO.	
		.XXX° ±	.XXX ±	Hogi	25.11.2014	TSS-602-SxxNT/1SZ	

Tactile Switch THT 6x6
1.6N Type
 straight solder legs **NON-washable**