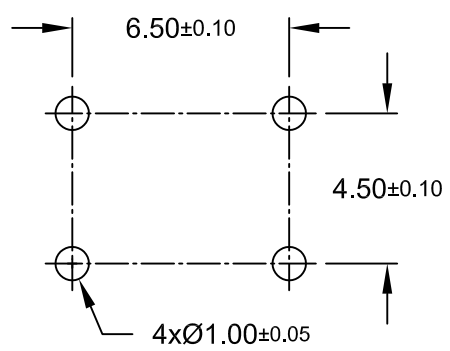
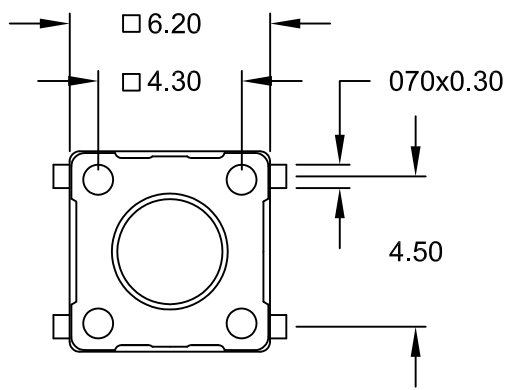
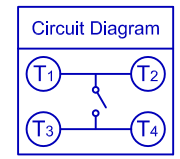


REV.	DESCRIPTION	DATE	DRAWN
A	NEW	08.06.2015	Ryan



Recommended PCB Layout
(Top View)



Order Code

TSS-602-xxRK/1SZ

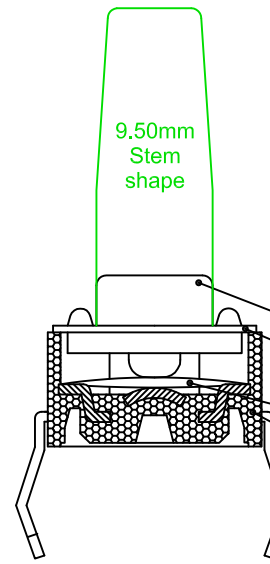
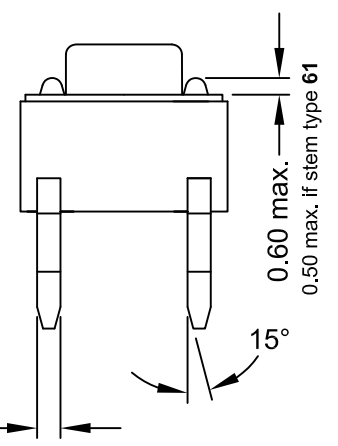
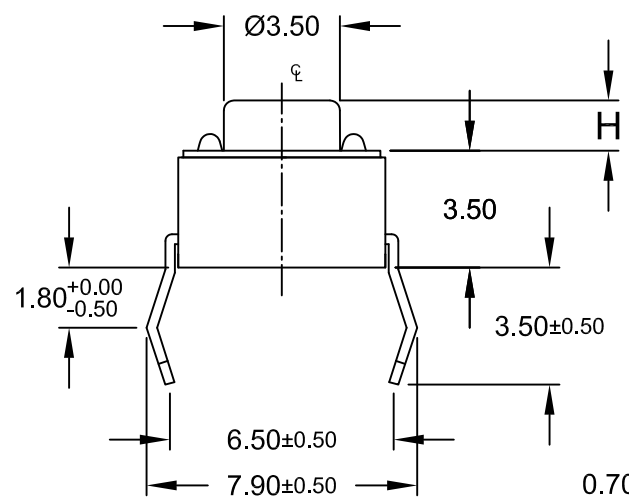
Stem height Option ("H")

- 61** = 0.80 mm
- 62** = 1.50 mm
- 63** = 3.50 mm
- 65** = 6.00 mm
- 66** = 9.50 mm

Specifications

Electrical

Current rating: 50mA, 12V DC
 Insulation resistance: 100MΩ min.
 Withstanding voltage: 50V AC (50Hz or 60Hz) 1Minute
 Contact resistance: 100mΩ max.
 Temperature range: -40°C to +85°C
 Solder heat resistance: +255°C +0/-5°C
 for 5 to 10 seconds
 Operating force: 2.6N ±0.50N



ITEM	DESC.	MATERIALS	TREATMENT
1	Stem	Nylon UL 94V-0	2.6N = red
2	Cover	stainless steel	none
3	Contact	Phosphor Bronze	with Silver cladding
4	Base	Nylon UL 94V-0	molded black
5	Terminal	Brass	with Silver plating 0.5µm



UNIT	GENERAL TOLERANCE		DRAWN	DATE	DWG. NO.	SHEET 1/1
mm	X.° ±	X. ±	Ryan	08.06.2015	TSS-6RK/1SZ	REV. A
SCALE	.X° ±	.X ±	CHECK	08.06.2015	SERIES NO.	
Free	.XX° ±	.XX ± 0.20	APPROVE	08.06.2015	TSS-602-xxRK/1SZ	
	.XXX° ±	.XXX ±	Hogi			

Tactile Switch THT 6x6
2.6N Type
 kinked solder legs **NON-washable**