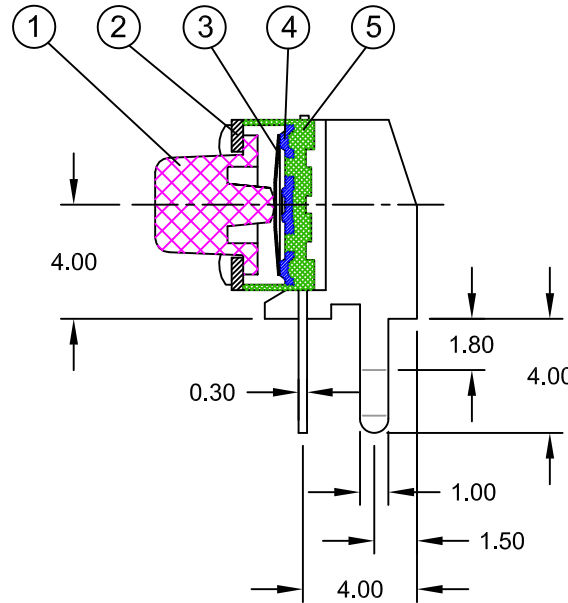
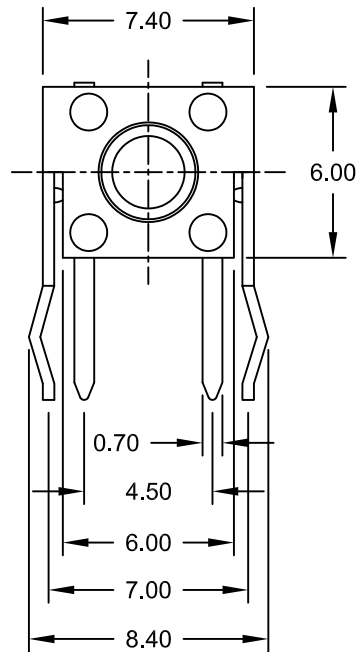


REV.	DESCRIPTION	DATE	DRAWN
A	New	22.11.2017	Ronny



Order Code
TSS-602-R67RK/5SZ

Stem length option "H"

67 = 13.35mm

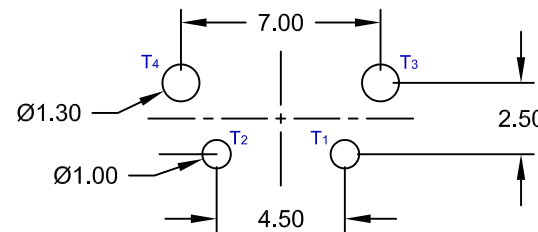
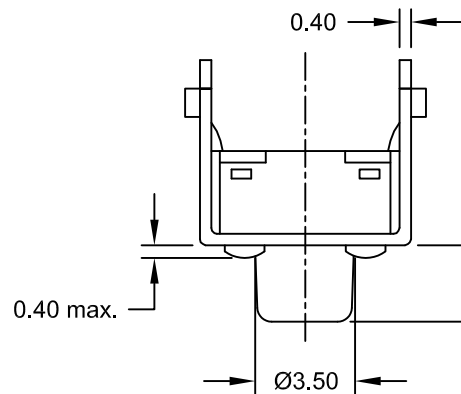
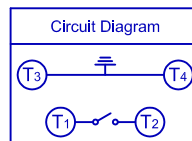
Specifications

Electrical

Current rating: 50mA @ 12V DC
Insulation resistance: 100MΩ min.
Contact resistance: 50mΩ max.
Withstanding voltage: 250V AC (50Hz - 60Hz, 2mA) 1Minute

Temperature range: -20°C to +70°C
Processing temperature: +255°C ±5°C
for 5 to 10 seconds

Operating force: 2.50N ±0.50N
Travel: 0.25mm ±0.1mm



Recommended PCB Hole Layout
(Top View)

Item	Desc.	Material	Treatment
1	Stem	PA66 UL 94V-0	black
2	Cover	Stainless Steel	with Tin
3	Contact	Phosphor Bronze	with Silver cladding
4	Terminal	Brass	with Silver 0.3µm
5	Base	PA66 UL 94V-0	black

E-tec 2017 © - all rights reserved www.e-tec.asia



UNIT	GENERAL TOLERANCE		DRAWN	DATE
mm	X.° ±	X. ±	Ronny	22.11.2017
SCALE	.X° ±	.X ±	CHECK	DATE
Free	.XX° ±	.XX ± 0.15	Hogi	30.11.2017
	.XXX° ±	.XXX ±	APPROVE	DATE
			Hogi	30.11.2017

DWG. NO.	SHEET 1/1
TSS-602-R67RK/5	REV. A
SERIES NO.	
TSS-602-RxxRK/5X	

Tactile Switch 90° THT
2.50N Type (±0.50N)
Stem length 13.35mm
NON - washable