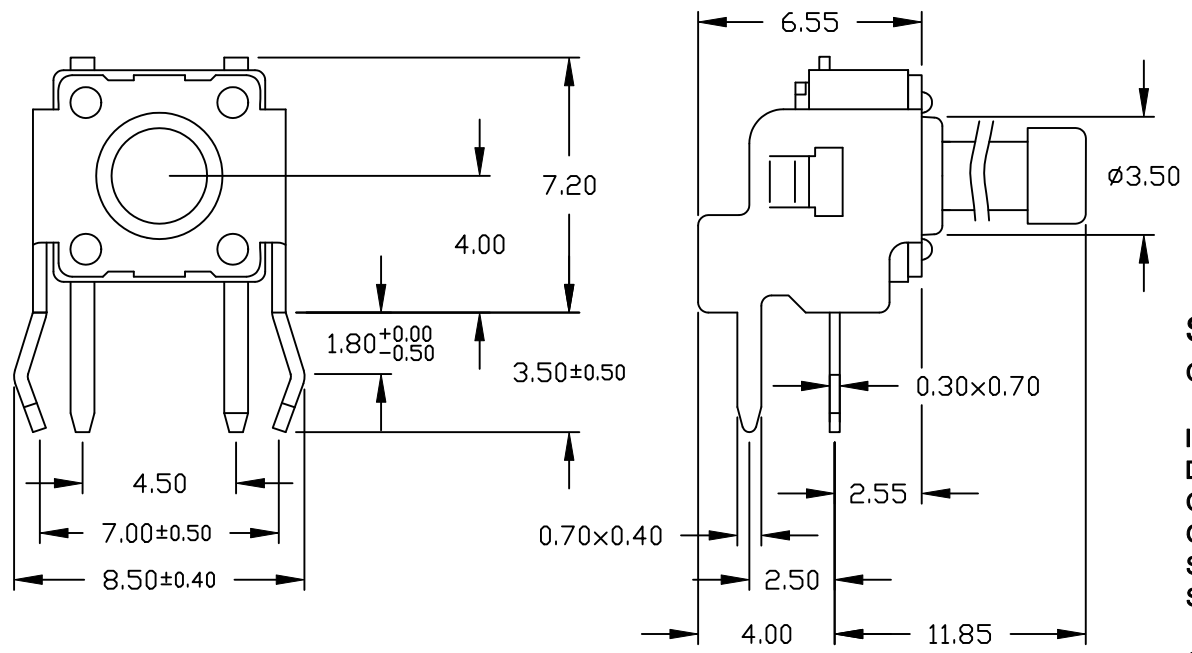


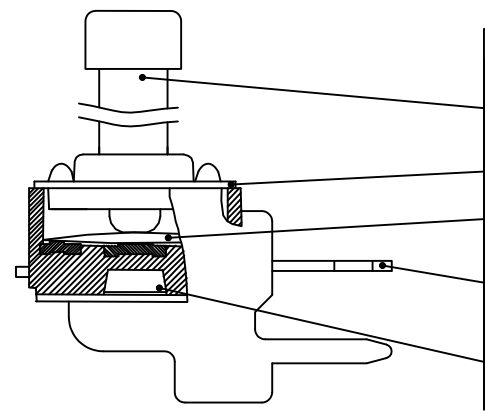
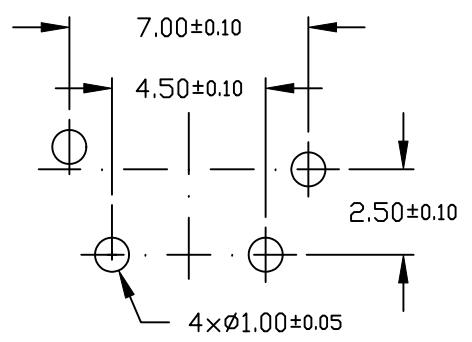
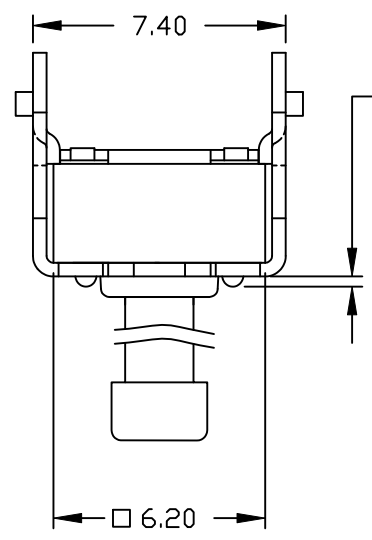
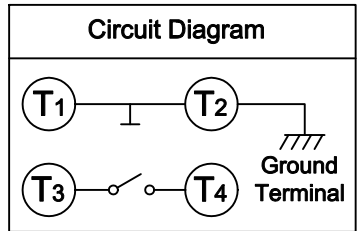
REV.	LOCAS.	DESCRIPTION	DATE	DRAWN
A		NEW	25.05.2002	RH
B		PN: -R63N-AG --> -R60NT/1SZ	11.06.2010	RH



ORDER CODE
TSS-602-R60NT/1SZ

Specifications

Current rating: 50mA, 12V DC
300mA max. 30V DC max. (9W max.)
Insulation resistance: 100MΩ min.
Dielectric withstanding: 250V AC (50Hz or 60Hz) 1Minute
Contact resistance: 100mΩ max.
Operating temperature: -25°C to +70°C
Storage temperature: -30°C +80°C
Solder heat resistance: +255°C ±5°C
for 5 to 10 sec.
Operating force: 1.6N ±0.50N



ITEM	DESC.	Q'TY	MATERIALS	TREATMENT
1	Stem	1	high- temp thermoplastic Nylon UL 94V-0	colour depend on operating force (1.6N = brown)
2	Cover	1	stainless steel	none
3	Contact	1	Phosphor Bronze	with Silver cladding
4	Terminal	1	Brass	with Silver plating 0.5µm
5	Base	1	high- temp thermoplastic Nylon UL 94V-0	molded brown

Recommended PCB Layout (Top View)



UNIT	mm	GENERAL TOLERANCE		DRAWN	DATE	DWG. NO.	SHEET 1/1
	SCALE	Free	X° ±	X. ±	RH	25.05.2002	TSS-R60NT/1SZ
			.X° ±	.X ±	CHECK	DATE	SERIES NO.
			.XX° ±	.XX ± 0.20	Ronny	11.06.2010	TSS-602-RxxNT/1SZ
		.XXX° ±	.XXX ±	APPROVE	DATE		
				Hogi	11.06.2010		

Tactile Switch
THT 6x6 right Angle
NON-washable type