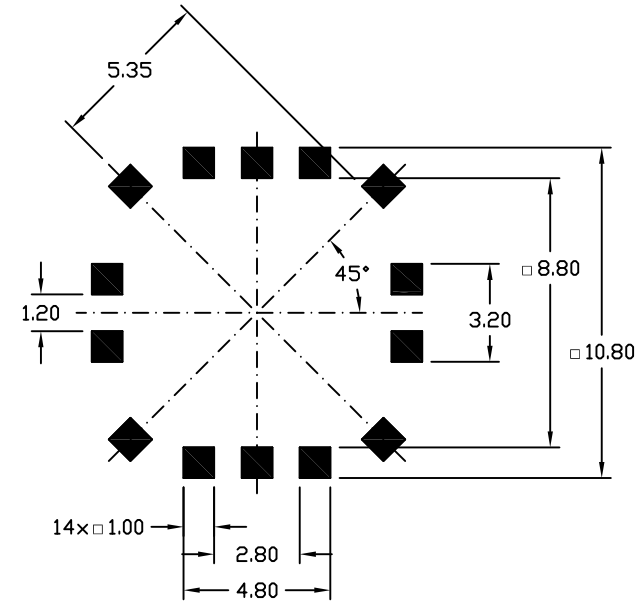


REV.	LOCAS.	DESCRIPTION	DATE	DRAWN
A		NEW	01.03.2010	RH

Recommended PCB Layout



ORDER CODE
TNJ-TT05-L1C/1SZ



Specification

Electrical

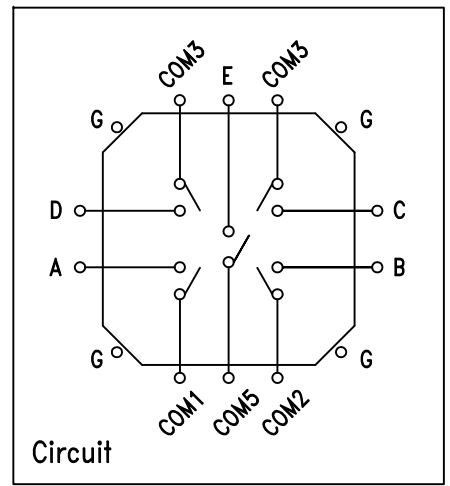
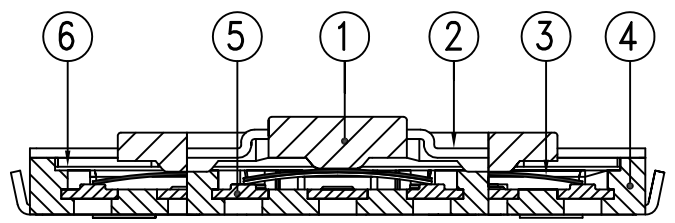
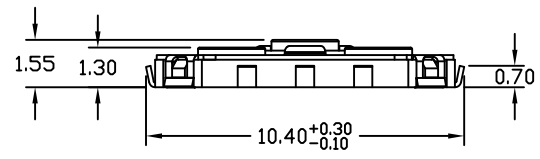
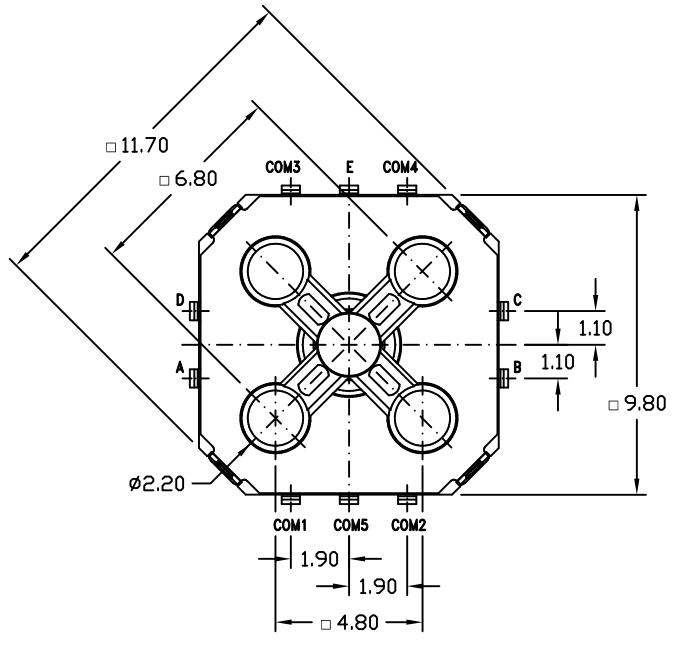
- Current rating: 50mA 12V DC
- Insulation resistance: 100MΩ min. @ 500V DC
- Dielectric withstanding: 250V AC / 1 Minute
- Contact resistance: 100mΩ max.
- Capacitance: 5pf max. @ 1MHz ±10kHz

Material

1. Stem: Nylon PA 9T UL 94V-0 (black)
2. Cover: Nickel Silver
3. Contact: Stainless, with Silver cladding
4. Base: Nylon PA 9T UL 94V-0 (black)
5. Terminal: Brass with Silver plated
6. Tape: Teflon

Mechanical

- Operating force: a) Side 180 ±60gf
b) Center 320 +80/-60gf
c) Stroke 0.25 ±0.15mm
- Operating temperature: -20°C to +70°C
- Storage temperature: -40°C to +85°C
- Solder temperature: +350°C 5sec. max.
- Operating Life: 200.000 cycles min.



UNIT	mm	GENERAL TOLERANCE		DRAWN	DATE	DWG. NO.	SHEET 1/1
SCALE	Free	.X° ± 5°	.X. ± 0.30	Ronny	01.03.2010	TNJ-L1C/1SZ	REV. A
		.XX° ± 3°	.X ± 0.25	Hogj	01.03.2010	SERIES NO.	
		.XX° ± 2°	.XX ± 0.15		01.03.2010	TNJ-TT05-L1C/1SZ	
		.XXX° ± 1°	.XXX ± 0.10				

TACT SWITCH
Multi Function Navigation
"SMT" Type