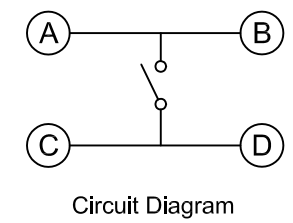
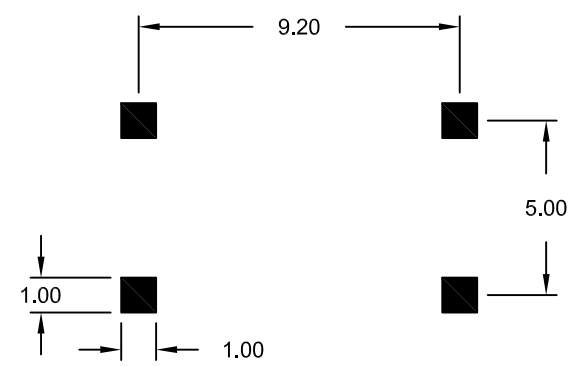
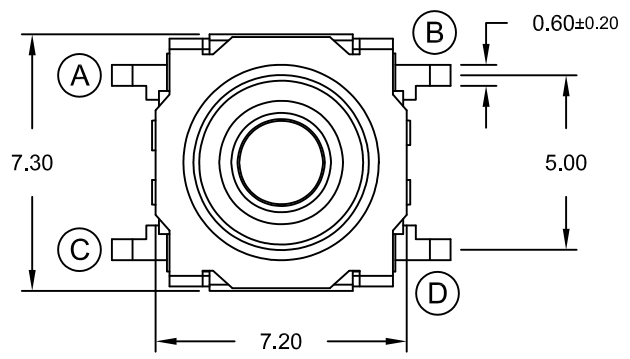
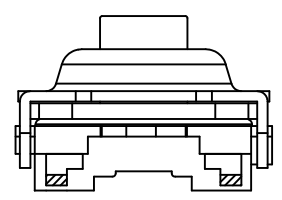
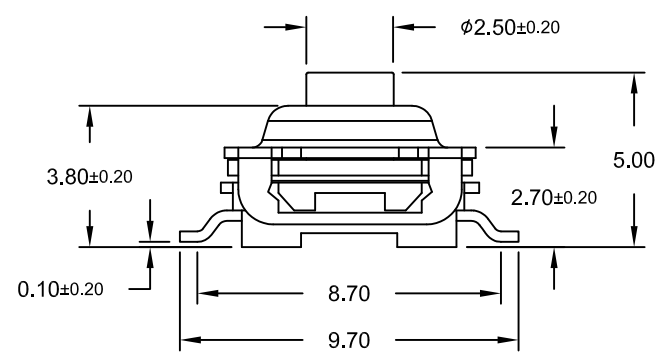


REV.	DESCRIPTION	DATE	DRAWN
A	New	13.06.2018	Cherry



Recommended PCB Layout Top View  
(Tolerance ±0.05)

**Order Code**  
**TSM-702-12BLC/5SZ**



**Specifications**

**Electrical**

Current rating: 50mA 12V DC max.  
 Contact resistance: 100mΩ max.  
 Insulation resistance: 100MΩ min.  
 Voltage Rating  
 Maximum: 12V DC 50mA  
 Minimum: 1V DC 10μA

**Material**

Stem & Case: PPA (blue) UL 94V-0  
 Contact: Stainless Steel; Ag plated  
 Terminal: H62Y; Ag plated  
 Cover: H65M; Cu Sn plated



**Mechanical Requirements**

Travel: 0.35±0.10mm  
 Operating force: 250±50gf  
 Operating life: 100,000 cycles min.

Processing Temperature: +260°C for 3 sec.  
 Operating Temperature: -20°C to +70°C  
 Storage Temperature: -20°C to +80°C

Waterproof rating: IP67  
 Packing: 800 pcs. / Reel

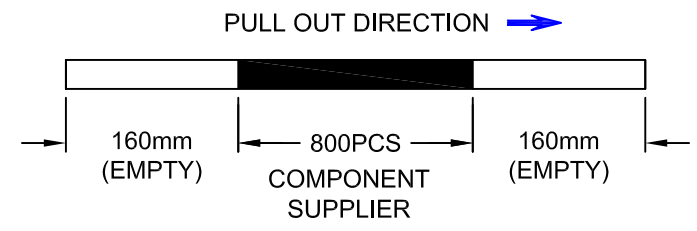
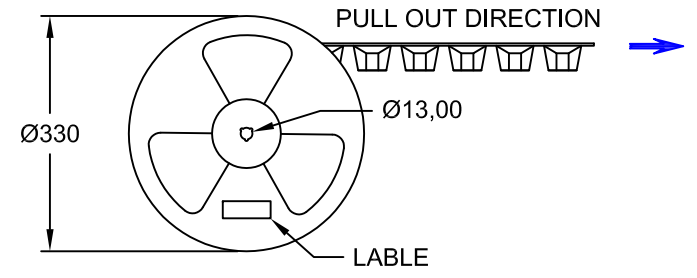
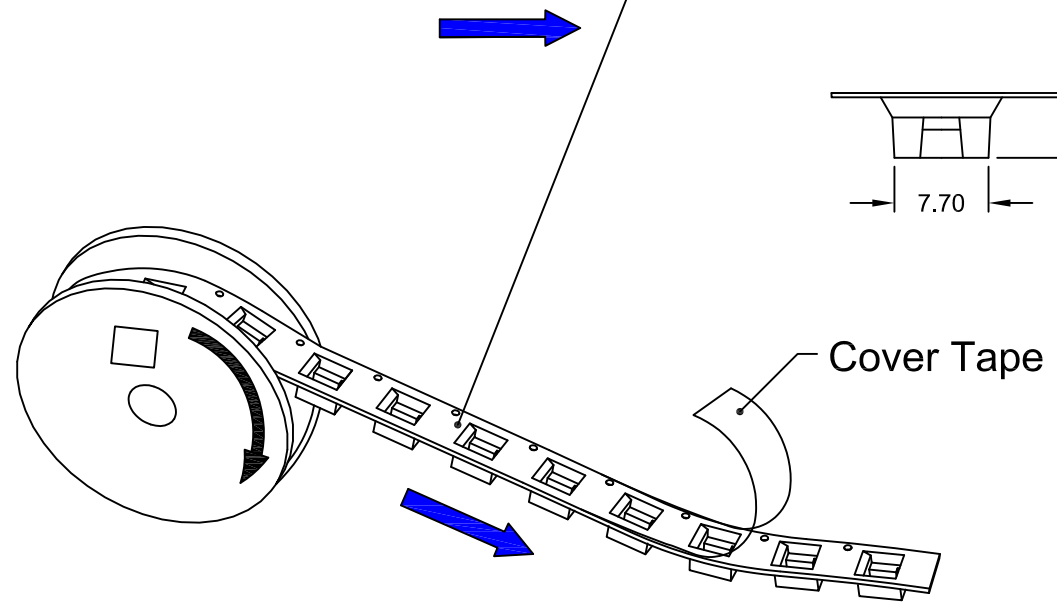
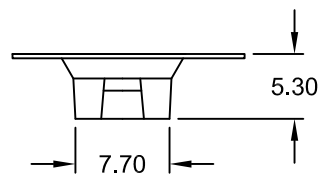
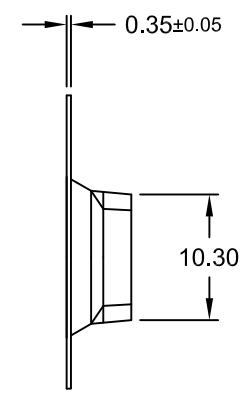
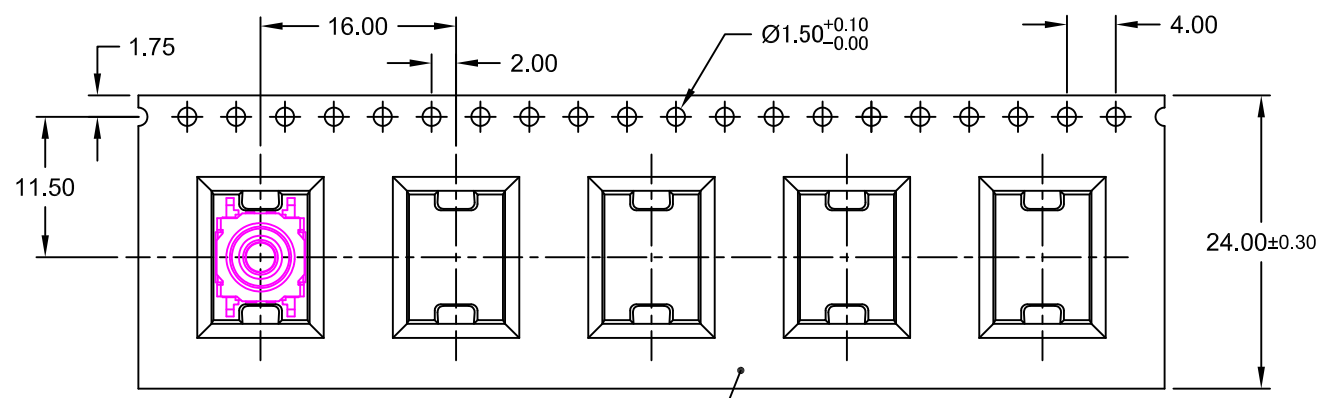
E-tec 2018 © - all rights reserved www.e-tec.asia



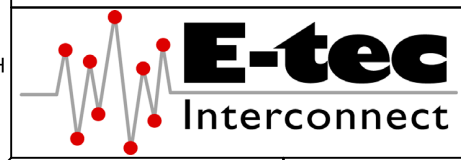
UNIT	GENERAL TOLERANCE		DRAWN	DATE	DWG. NO.	SHEET 1/2
mm	X.° ±	X. ±	Cherry	13.06.2018	TSM-702-12BLC/5	REV. A
SCALE	.X° ±	.X ±	CHECK	13.06.2018	SERIES NO.	
Free	.XX° ±	.XX ± 0.30	APPROVE	13.06.2018	TSM-702-12BLC/5XZ	
	.XXX° ±	.XXX ±	Hogi			

**Tactile Switch SMT**  
 Top Push - washable Type

REV.	DESCRIPTION	DATE	DRAWN
A	New	13.06.2018	Cherry



E-tec 2018 © - all rights reserved www.e-tec.asia



UNIT mm	GENERAL TOLERANCE		DRAWN Cherry	DATE 13.06.2018	DWG. NO. Reel TSM-702-12BLC_5SZ	SHEET 2/2					
	SCALE Free	X.° ±					X. ±	CHECK Hogi	DATE 13.06.2018	SERIES NO.	REV. A
		.XX° ±					.XX ± 0.10				
		.XXX° ±					.XXX ±				
			APPROVE Hogi	DATE 13.06.2018							

**Reel packing Information**  
for E-tec Tactile Switch  
**TSM-702-12BLC/5SZ**