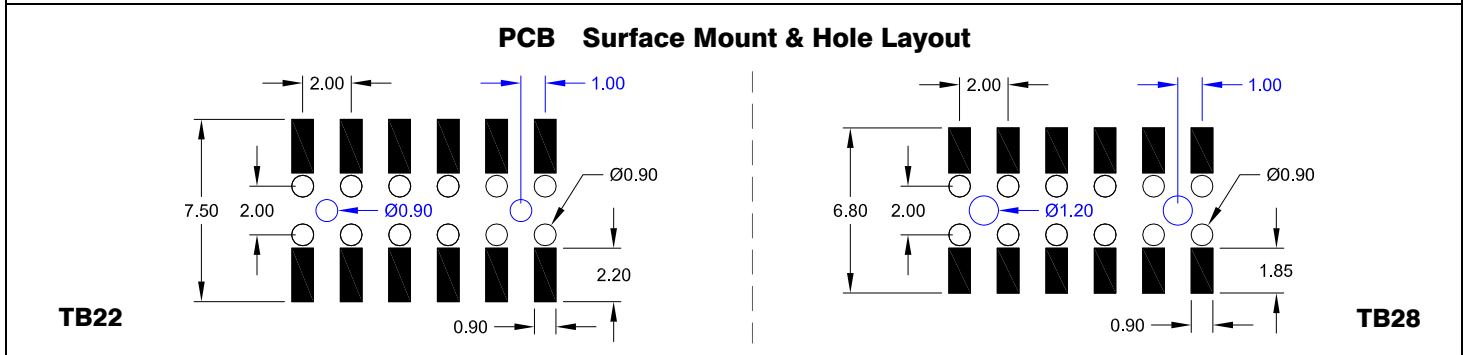
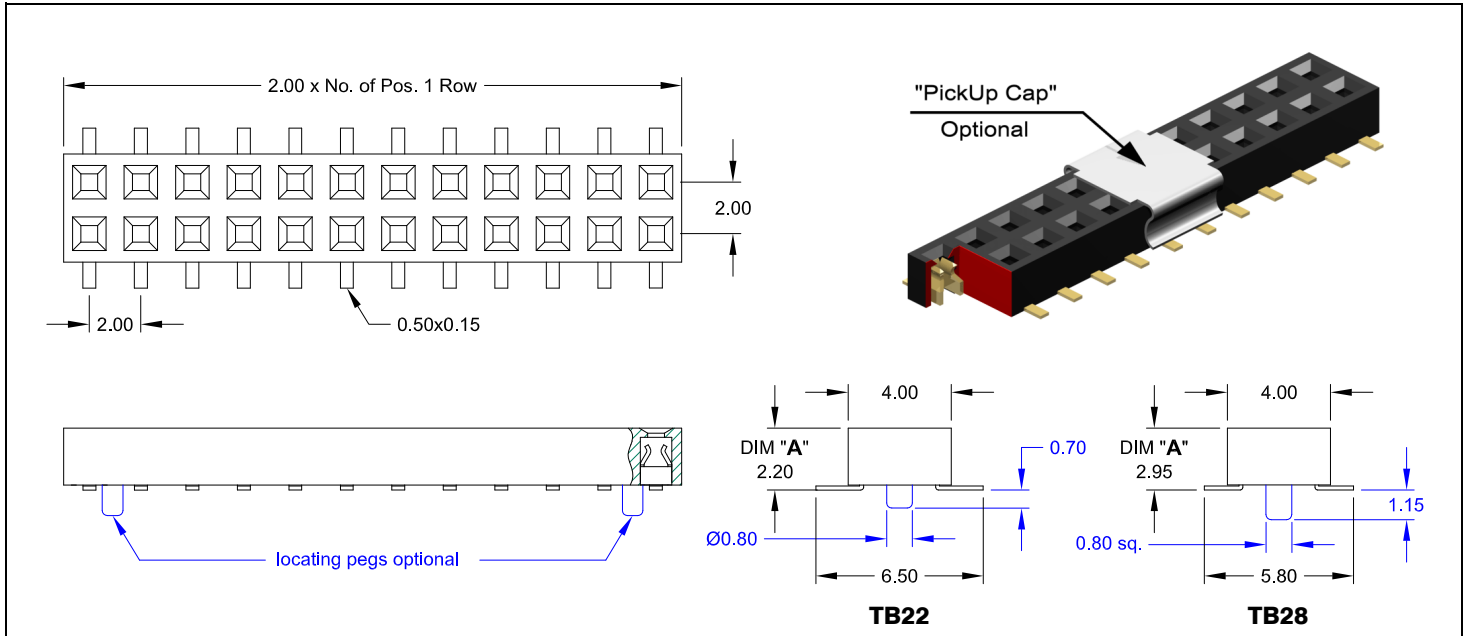


2.00mm pitch Female Header - SMT – Top & Bottom Entry 2.20mm & 2.95mm profile



Application and Features

- **Standard: Tube packing, without "locating pegs" and without "PickUp Cap"**
- Low profile, 2.20mm and 2.95mm height above PCB available
- Mating with 2.00mm x 2.00mm pitch, 0.50mm square, or round Pin Headers
- Designed for board to board small spacing interconnection

Specifications

Current rating	2 A
Insulation resistance	1000 MΩ min.
Contact resistance	20 mΩ max.
Withstanding voltage	500 V AC
Operating temperature	- 40°C to +105°C
Processing temperature	+250°C +0/-5°C for 5sec.
Contact material	(RoHS compliant) Phosphor Bronze
Insulator material	(RoHS compliant) PA6T UL 94 V-0

How to order

BS2 - xxx - TB xx - 55/2 X

Nbr of contacts	Height Option	Plating	Options
006 to 080	22 DIM „A“ = 2.20 mm	55 = Gold	without "locating pegs"
006 to 070	28 DIM „A“ = 2.95 mm		A = Tube packing; with „PickUp Cap“ B = Reel packing; with „PickUp Cap“
			with "locating pegs"
			C = Tube packing; without „PickUp Cap“ D = Tube packing; with „PickUp Cap“ E = Reel packing; with „PickUp Cap“

When using this female connector as a bottom entry connector, we recommend that the Pin Header pins protrude by around 2.00mm above the surface of the female connector after assembly. This will avoid any risk of separation of the Pin Header from the Female Header during shock and vibration.