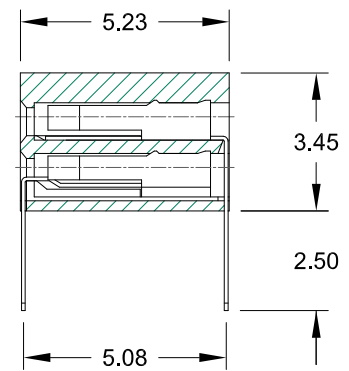
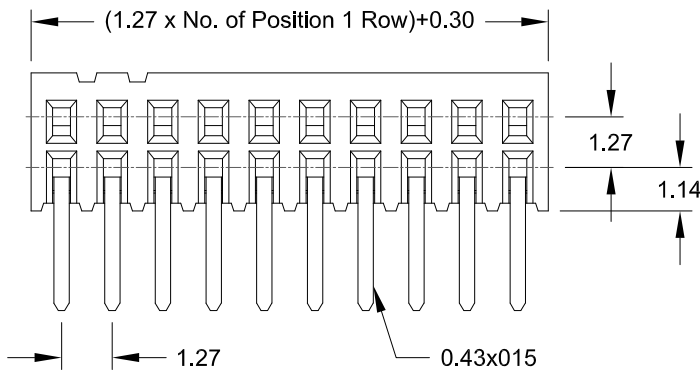
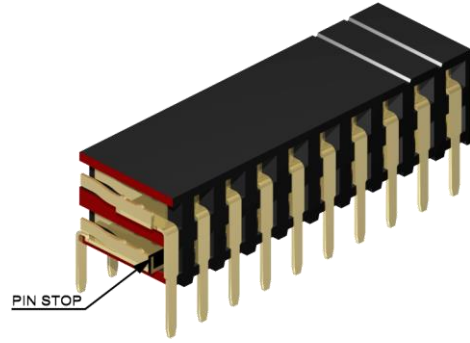
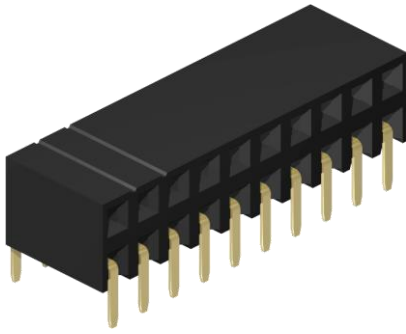


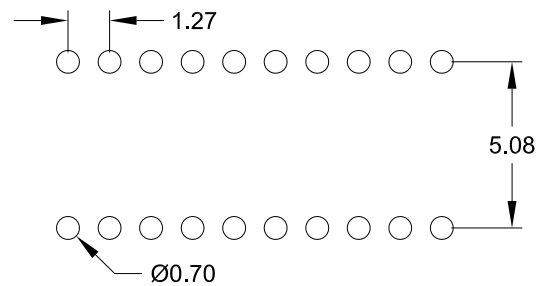
1.27mm pitch Female Header
- THT- side entry



Application and Features

- **Standard: Tube packing**
- Hi-rel dual beam contact with "Pin Stop" assures reliable connections
- Accepts 0.40mm square pins; Pin Header 1.27mm x 1.27mm
- 3.45mm height above board
- Stand-off's facilitate post solder cleaning

PCB Hole Layout



Specifications

Current rating	1 A	Operating temperature	- 40°C to +105°C
Insulation resistance	1000 MΩ min.	Contact material	(RoHS compliant) Phosphor Bronze
Contact resistance	20 mΩ max.	Insulator material	(RoHS compliant) PA6T UL 94 V-0
Withstanding voltage	500 V AC		

How to order

BH2 - xxx - R345 - 55/11

