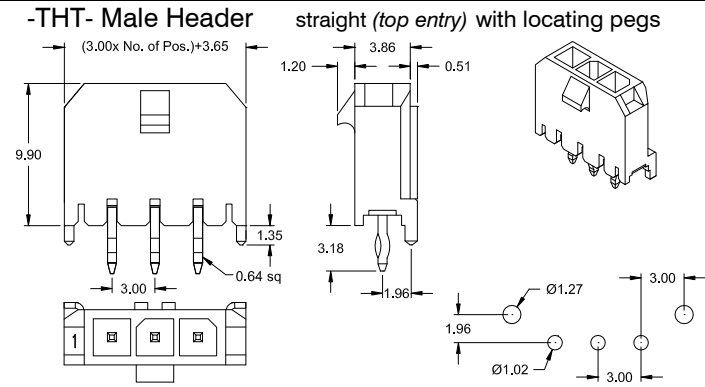
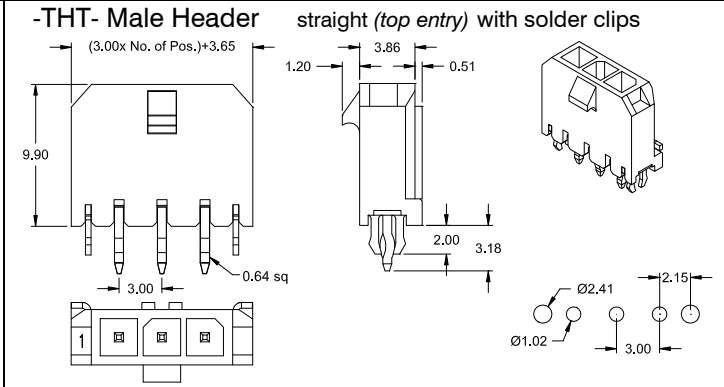




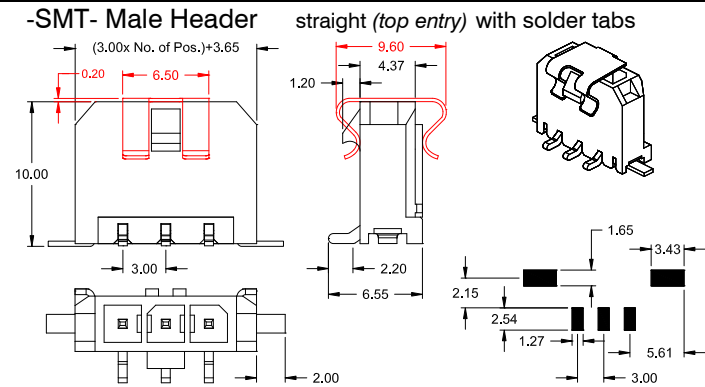
W - Type Single Row fully shrouded with polarity protection



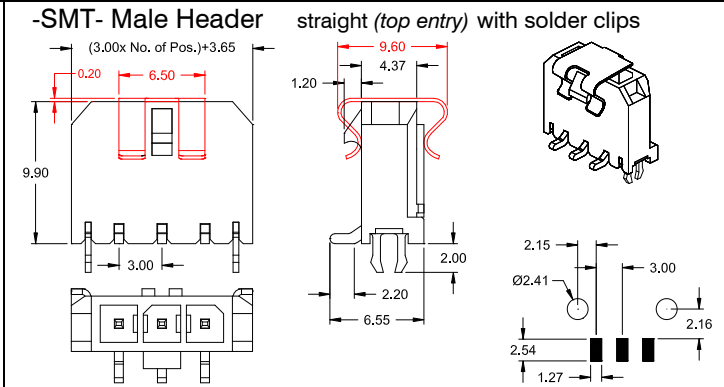
Order Code: **PCS-1xx-W300-99**



Order Code: **PCS-1xx-WC300-99**

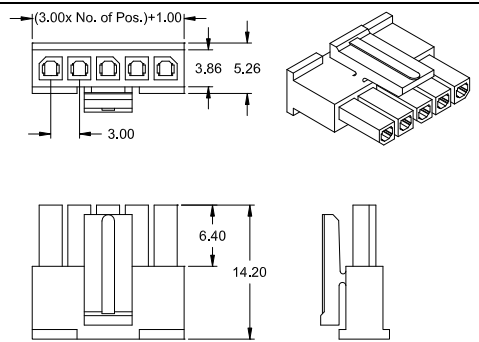


Order Code: **PCS-1xx-SW300-99/B**

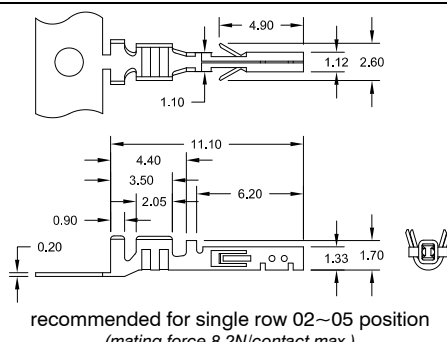


Order Code: **PCS-1xx-SC300-99/XX** (/B = Standard /LB = Option)

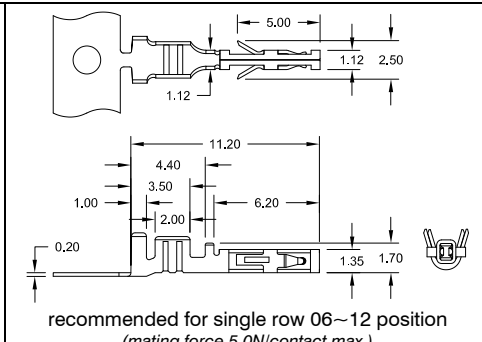
W - Type Female Plug Single Row -Clip lock Type- with polarity protection



Order Code Housing: **PCF-1xx-W300**



Order Code Contact: **PCF-999/xx-W300-99**



Order Code Contact: **PCF-999/xxL-W300-99**

Specifications

Current rating	5 A if AWG 20	Withstanding voltage	1500 V AC	Contact material	Copper Alloy
Insulation resistance	1000 MΩ min.	Operating temp.	-40°C to +105°C	Insulator material	LCP UL 94V-0
Contact resistance	10 mΩ max.	SMT Processing temp.	+250°C for 5 sec.	PCF Plug	PA66 UL 94V-0
Voltage rating	250 V AC max.	PCB thickness			1.60 mm

How to order

PC X - x xx - X 300 - 99 / X

Type	Rows	Nbr of Contacts	Execution	Plating	Option
F = Female R = R/A Male S = Straight Male	1 = single row if Crimp Contact: 9	02 - 12 = W, WC, SW, SC - Type if Crimp Contact: (MOQ: 10K / reel) 99/22 = for AWG 20~24 99/22L = for AWG 20~24 99/32 = for AWG 26~30 99/32L = for AWG 26~30	W = THT & Plug WC = THT SW = SMT SC = SMT for details see above dwg's	99 = Tin (leadfree) other platings on request	B = Reel packing with Pickup Cap -SC300- & -WC300- only: LB = solder clip length 3.20mm; Reel packing with Pickup Cap