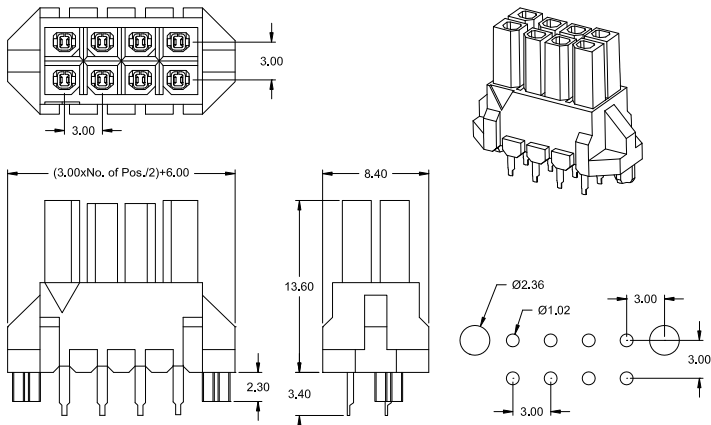


# 3.00mm Wire to Board "Blind Mate" Crimp Contact "Power Connectors"



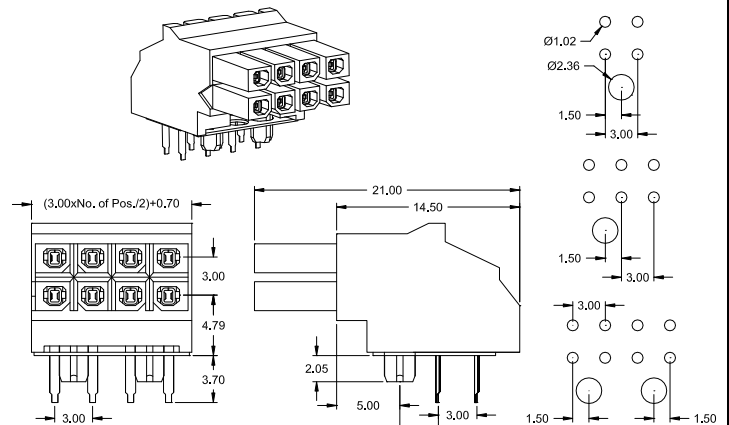
## BF - Type Female Plug Dual Row with polarity protection

-THT- straight



Order Code: PCS-2xx-BF300-99

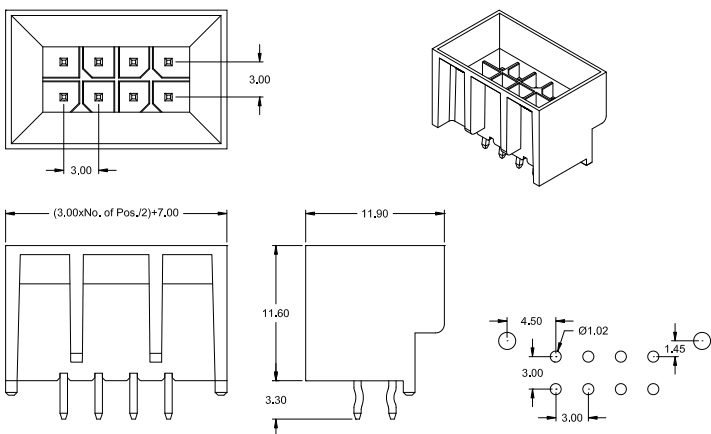
-THT- right angle



Order Code: PCR-2xx-BF300-99

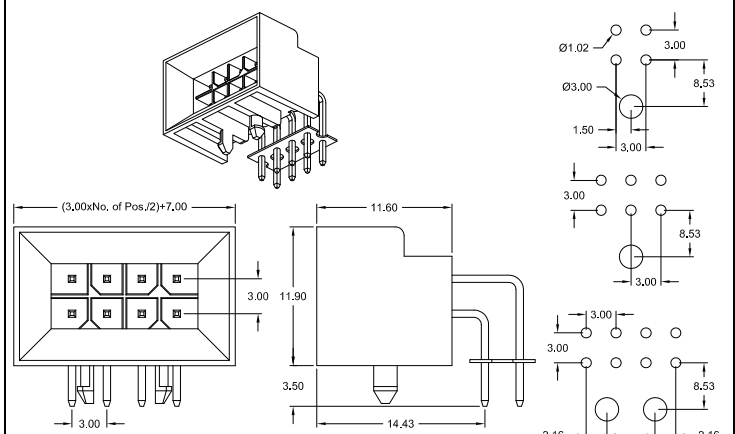
## BM - Type Male Header Dual Row fully shrouded with polarity protection

-THT- straight (top entry)



Order Code: PCS-2xx-BM300-99

-THT- right angle (side entry)



Order Code: PCR-2xx-BM300-99

### Specification

Current rating	5 A	Voltage rating	250 V AC max.	Contact material	Copper alloy
Insulation resistance	1000 MΩ min.	Withstanding voltage	1500 V AC	Insulator material	LCP UL 94V-0
Contact resistance	10 mΩ max.	Operating temp.	-40°C to +105°C	PCB thickness	1.60 mm

### How to order

PC X - 2 xx - XX 300 - 99

