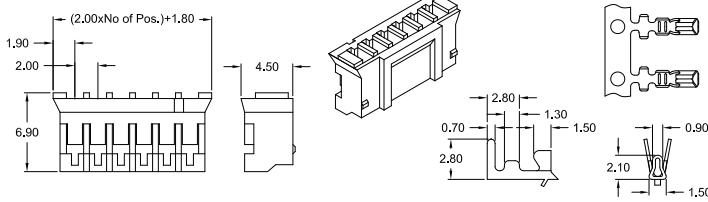


2.00mm Wire to Board Crimp Contact Connectors



O - Type Single Row

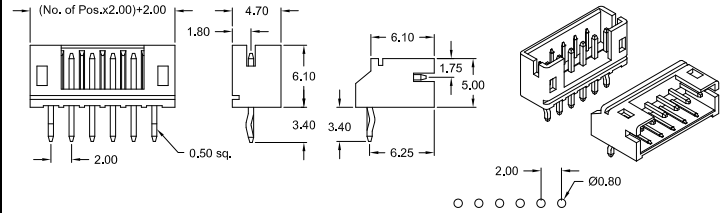
Female Plug



Order Code Housing: CRF-1xx-O200

Contact: CRF-999/30-O200-99

-THT- Male Header straight (top entry) & right angle (side entry)

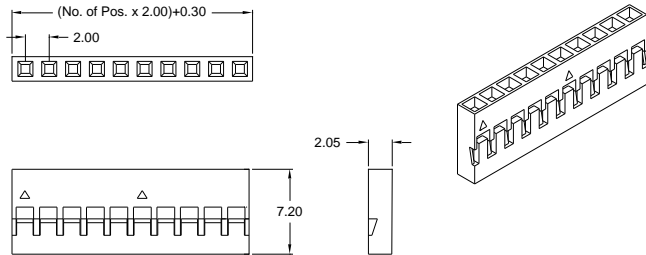


Order Code straight: CRS-1xx-O200-99

right angle: CRR-1xx-O200-99

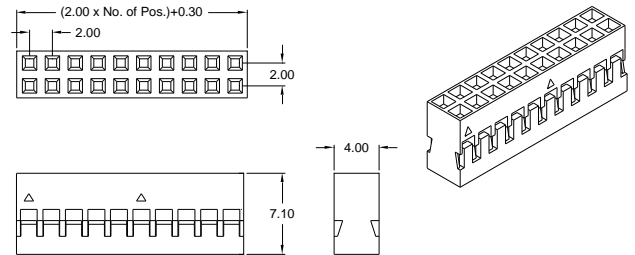
H - Type Wire to Board Plugs mating with 2.00mm pitch Pin-Header

single row



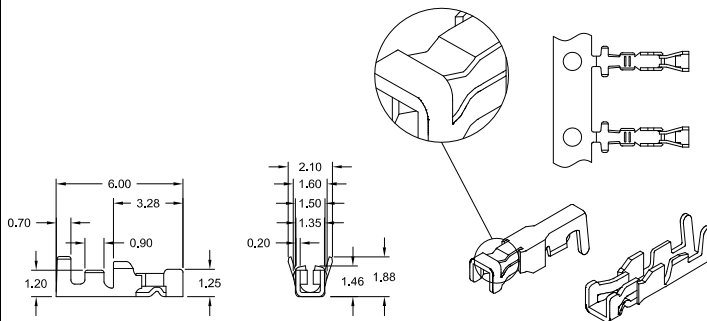
Order Code Housing: CRF-1xx-H200

dual row



Order Code Housing: CRF-2xx-H200

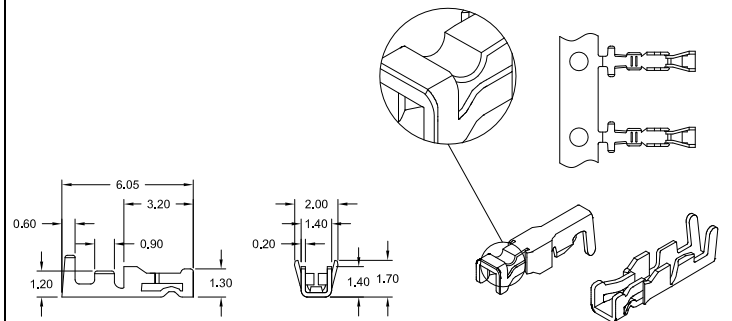
Female Contact



for single row 02 ~ 19 & dual row 04 ~ 18 position

Order Code: CRF-999L/32-H200-55

MOQ 10K / reel



for single row 20 ~ 40 & dual row 20 ~ 80 position

Order Code: CRF-999/32-H200-55

MOQ 10K / reel

Specifications

Current rating	2 A	Voltage rating	100 V AC max.	Contact material	Copper Alloy
Insulation resistance	1000 MΩ min.	Withstanding voltage	800 V AC	Insulator material	PA66 UL 94V-0
Contact resistance	20 mΩ max.	Operating temperature	-25°C to +85°C	H-Type	PA66 UL 94V-2
				PCB thickness	1.60 mm

How to order

CR X - x xx - X 200 - 99

Type	Rows	Nbr of Contacts	Execution	Plating
F = Female	1 = single row	02 - 16 = O - Type	O = THT & Plug	99 = Tin <i>(leadfree)</i>
R = R/A Male	2 = dual row	02 - 40 = H - Type - 1 row	H = Plug	55 = Gold
S = Straight Male	<i>if Crimp Contact:</i> 9	<i>if Crimp Contact for O-Type:</i> 99/30 = for AWG 24~30	for details see above dwg's	other platings on request
		<i>if Crimp Contact for H-Type:</i> 99L/32 = for AWG 26~30 99/32 = for AWG 26~30		