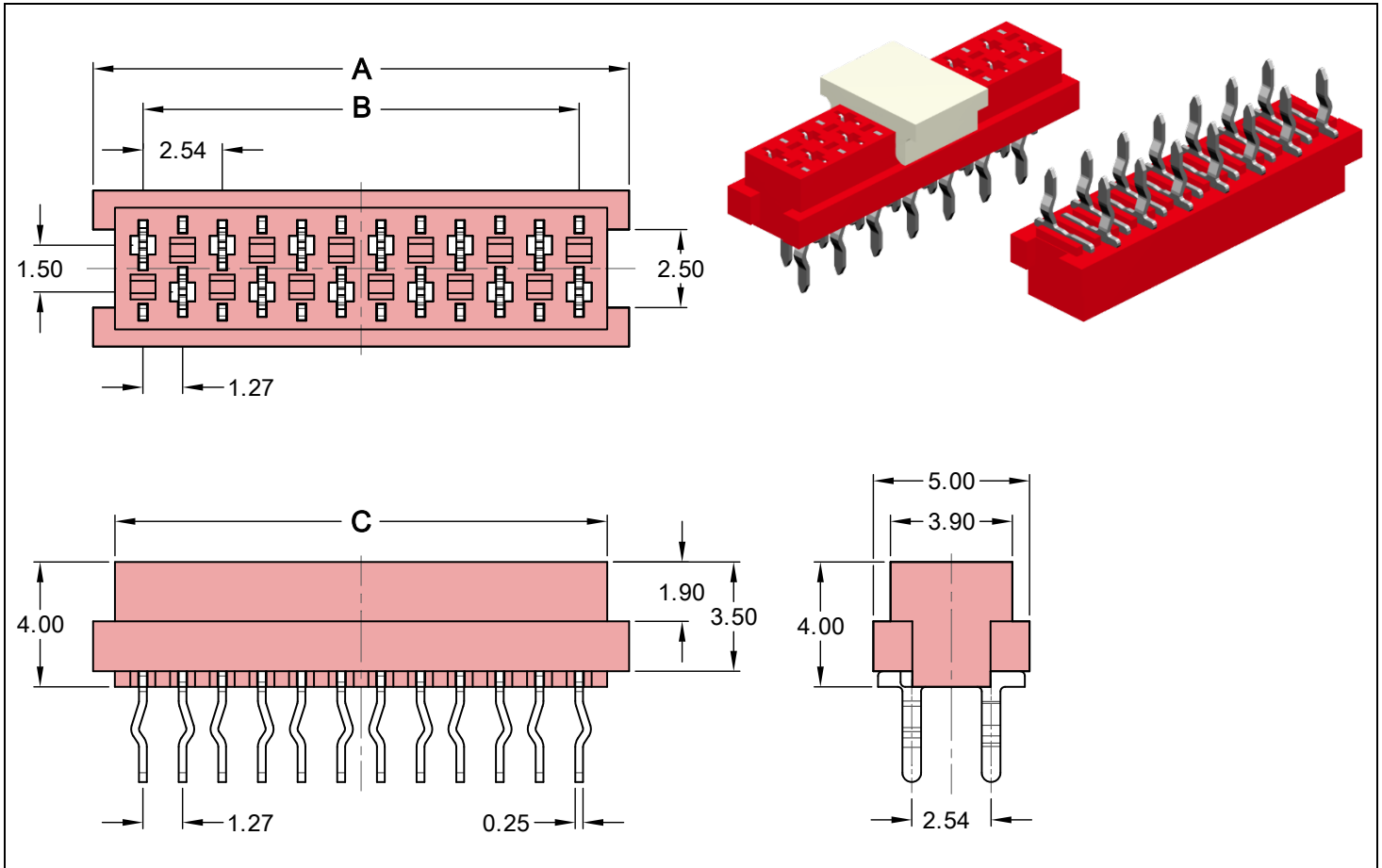


# Mini - Mate Connector

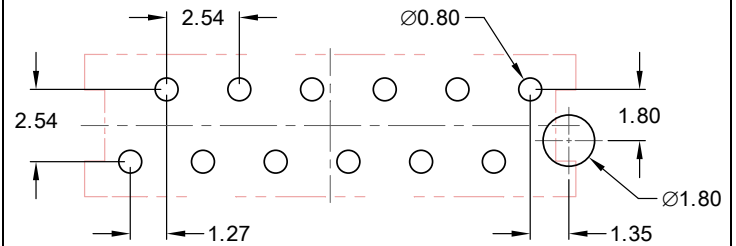
- THT - straight female Block Shape



## Specifications

Current rating	1.0 A max.
Voltage rating	230 V AC/DC
Withstanding voltage	500 V AC
Contact resistance	20 mΩ max.
Insulation resistance	1000 MΩ min.
Operating temperature	- 40°C to +105°C
Processing temperature	+260°C +0/-5°C for 5 Sec.
Insulator material	(RoHS compliant) PA46 (red) UL 94 V-0
Contact material	(RoHS compliant) Phosphor Bronze

## PCB Hole Layout



## Dimensions (mm)

Contacts	DIM "A"	DIM "B"	DIM "C"	Contacts	DIM "A"	DIM "B"	DIM "C"	Contacts	DIM "A"	DIM "B"	DIM "C"
004	7.00	3.81	5.60	012	17.16	13.97	15.76	020	27.32	24.13	25.92
006	9.54	6.35	8.14	014	19.70	16.51	18.30	022	29.86	26.67	28.46
008	12.08	8.89	10.68	016	22.24	19.05	20.84	024	32.40	29.21	31.00
010	14.62	11.43	13.22	018	24.78	21.59	23.38	026	34.94	31.75	33.54

## How to order

MMF - xxx - SB50 - 99 /X

