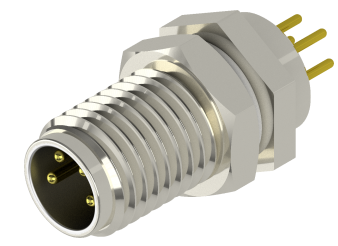
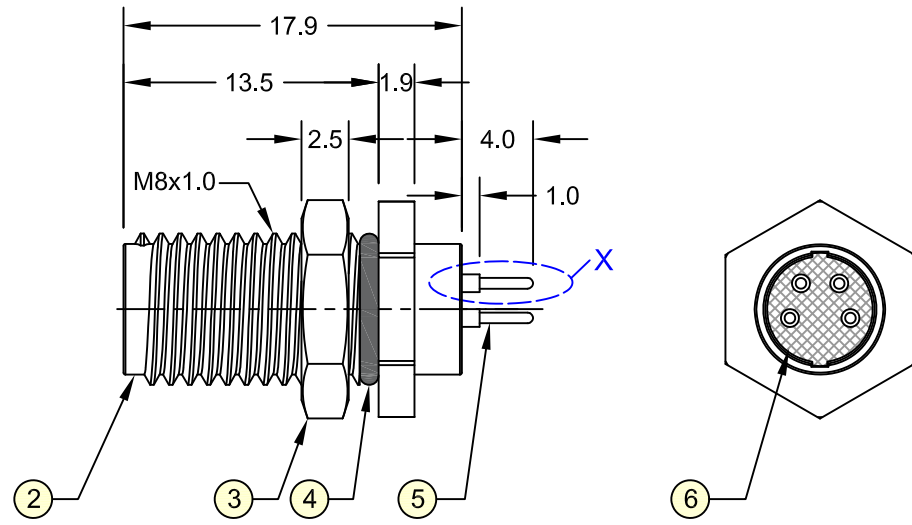
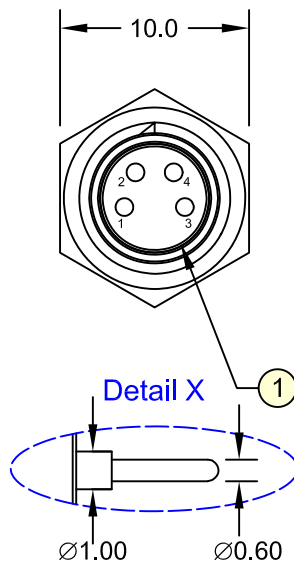


REV.	DESCRIPTION	DATE	DRAWN
A	New	09.03.2017	Cherry
B	General update	03.07.2019	Cheng



Order Code
M08-MA04-TVFP-55/00

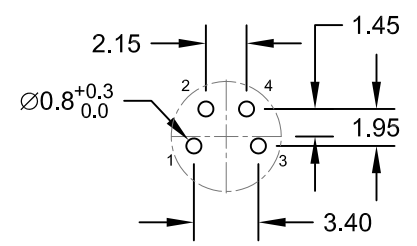
Specifications

Electrical
 Current rating: 3A per contact
 Insulation resistance: 100MΩ min.
 Voltage rating: 30V AC/DC
 Withstanding voltage: 650V AC

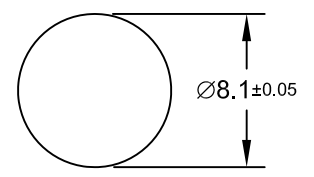
Mechanical Requirements

Waterproof rate: IP68
 Recommended panel thickness: 0.80 to 4.00mm
 Recommended Torque: 6~7 kgf-cm
 Operating life: 100 cycles min.

In accordance with IEC 61076-2-104:2014



Recommended PCB Layout Top View

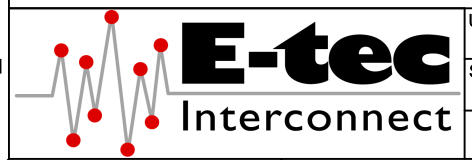


Recommended Panel Cut-out



Item	Part Name	Materials / Finish(Color)	Q'TY
1	Housing	Thermoplastic / Black	1
2	Metal Body	Copper Alloy / Ni Plated	1
3	Hex Nut	Copper Alloy / Ni Plated	1
4	O-Ring	NBR / Black	1
5	Contact	Copper Alloy / Au Plated	4
6	Glue	Epoxy / Black	-

E-tec 2019 © - all rights reserved www.e-tec.asia



UNIT	mm	GENERAL TOLERANCE		DRAWN	Cherry	DATE	09.03.2017
SCALE	Free	X.° ±	X. ±	CHECK	Cheng	DATE	03.07.2019
		.XX° ±	.XX ± 0.50	APPROVE	Fagi	DATE	03.07.2019
		.XXX° ±	.XXX ±				

DWG. NO.	M08-MA04-TVFP-55/00	SHEET	1/1
SERIES NO.	M08-MA04-TVFP-55/00	REV.	B

M8 Circular Connector
4-Pin Male A - Coding Type
 THT - Panel Front Mount