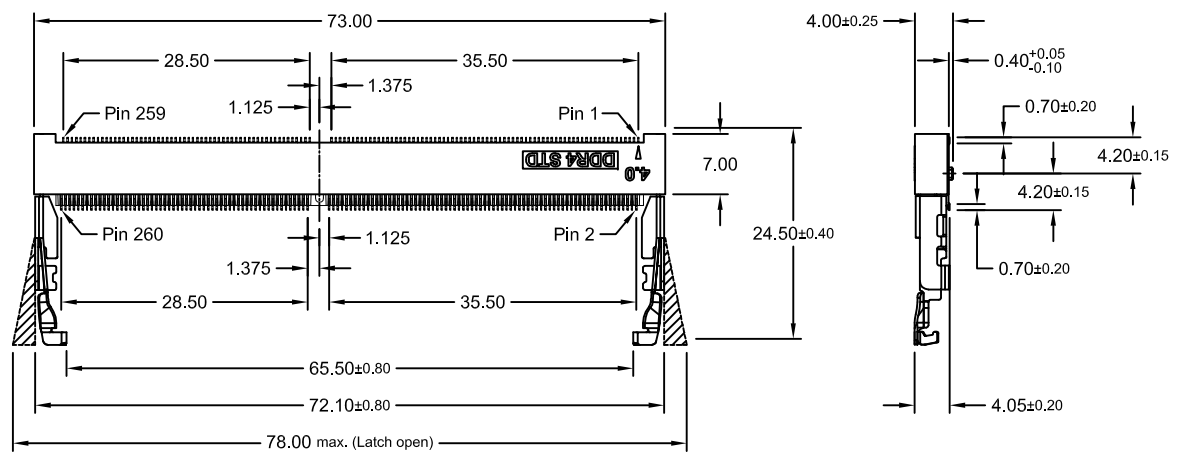
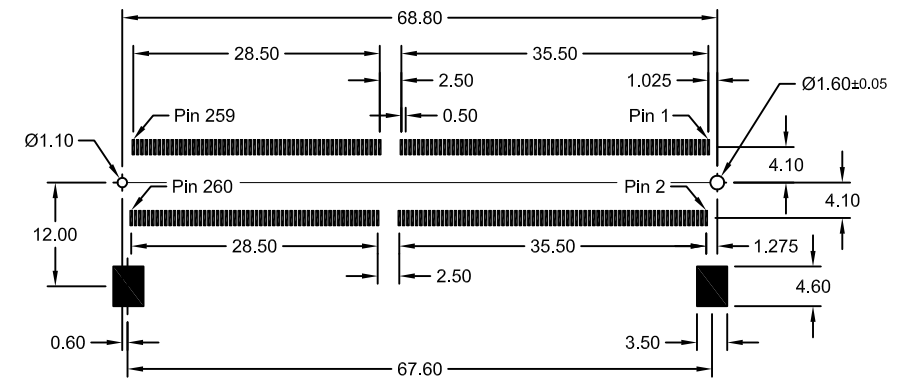
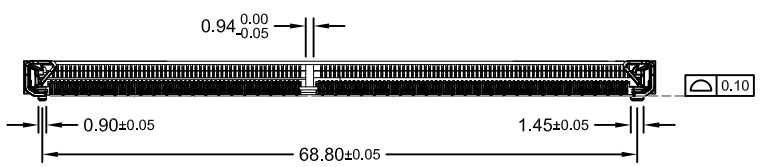


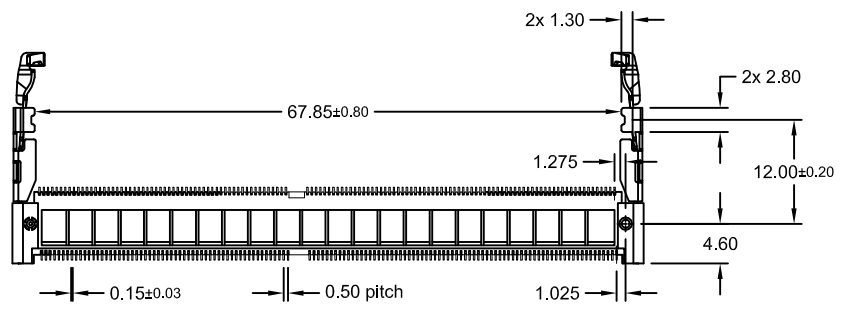
REV.	DESCRIPTION	DATE	DRAWN
A	New	10.05.2017	Ronny



Order Code
DMD-260-RLG9-55/TR



Recommended PCB Layout
(Top View)



Specifications

Electrical
 Current rating: 0,5A
 Insulation resistance: 500MΩ min.
 Contact resistance: 50mΩ max.
 Voltage rating: 25V AC / contact
 Withstanding voltage: 250V AC

Material

Contact: Phosphor Bronze
 Plating: Au on solder, Au flash on contact area
 Latch: Stainless Steel; Matte Sn plated over Ni
 Insulator: LCP (black) UL 94V-0

Operating temperature: -40°C to +80°C
 Processing temperature: +250°C +0/-5°C
 for 20~40 seconds

Packing: Reel

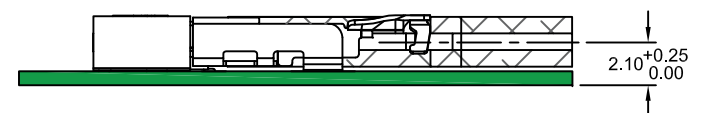
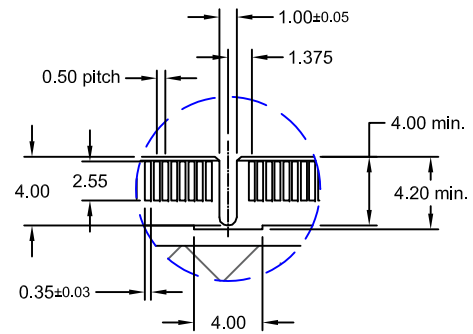
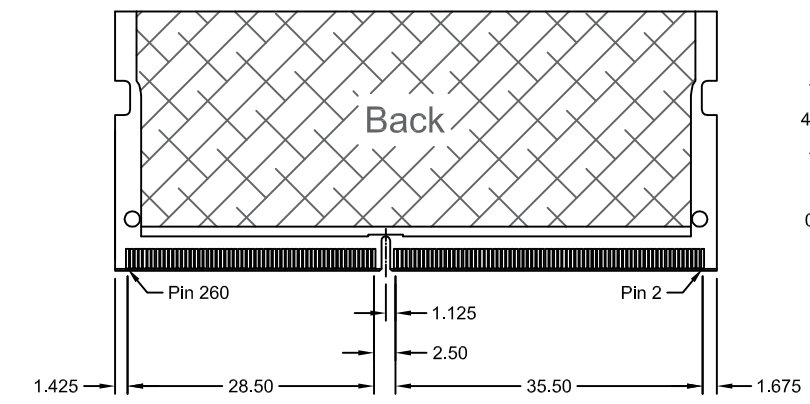
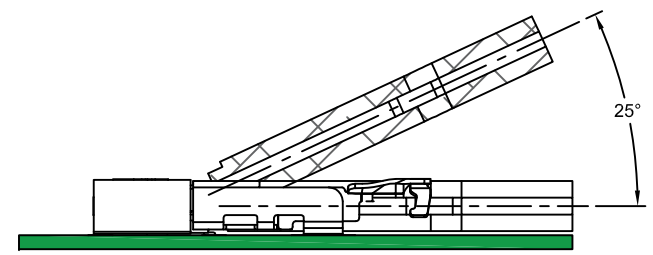
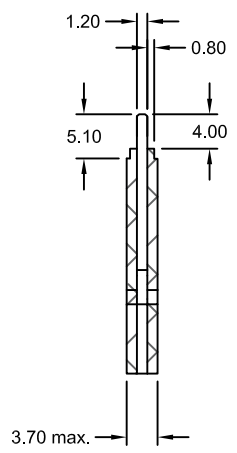
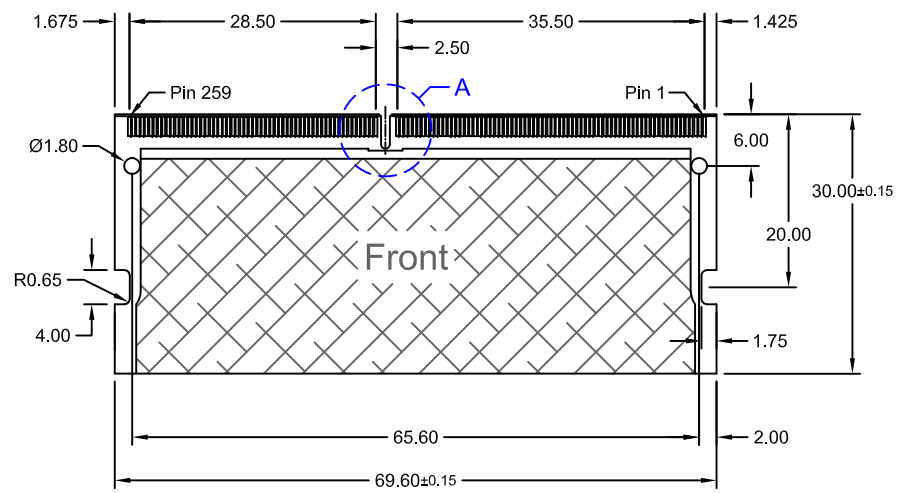
E-tec 2017 © - all rights reserved www.e-tec.asia



UNIT mm	GENERAL TOLERANCE		DRAWN Ronny	DATE 10.05.2017	DWG. NO. DMD-260-RLG9	SHEET 1/2
	X.° ±	X. ±				
	.X° ±	.X ±				
	.XX° ±	.XX ± 0.10				
SCALE Free	.XXX° ±	.XXX ± 0.05	CHECK Hogi	DATE 10.05.2017	SERIES NO. DMD-260-RLG9-xx/XX	REV. A
	APPROVE Hogi					

DDR4 260 Contact Socket
 -SMT- 4.00mm high
1.2V "Standard Type"

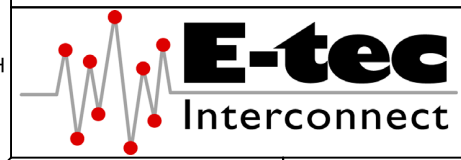
REV.	DESCRIPTION	DATE	DRAWN
A	New	10.05.2017	Ronny



Detail A



E-tec 2017 © - all rights reserved www.e-tec.asia



UNIT mm	GENERAL TOLERANCE		DRAWN Ronny	DATE 10.05.2017	DWG. NO. DMD-260-RLG9	SHEET 2/2
	X.° ±	X. ±				
	.XX° ±	.X ±				
	.XXX° ±	.XXX ± 0.05				
SCALE Free	DRAWN		CHECK Hogi	DATE 10.05.2017	SERIES NO. DMD-260-RLG9-xx/XX	REV. A
	APPROVE Hogi					
	DATE 10.05.2017					
	DATE 10.05.2017					

DDR4 260 Contact Modul
for **1.2V "Standard Type"** Socket
DMD-260-RLG9-55/XX