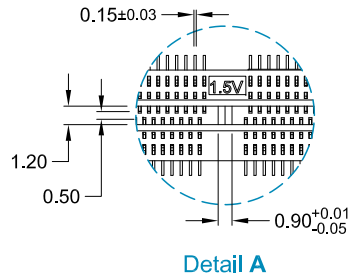
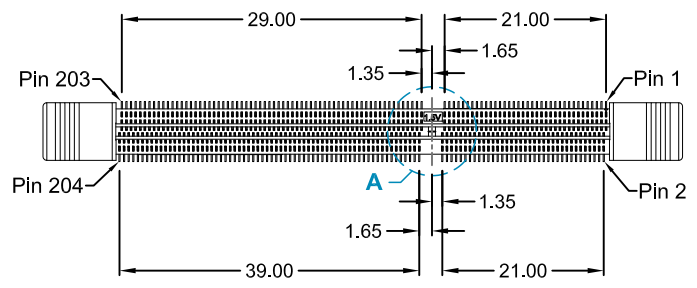
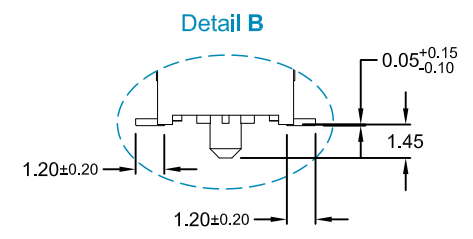
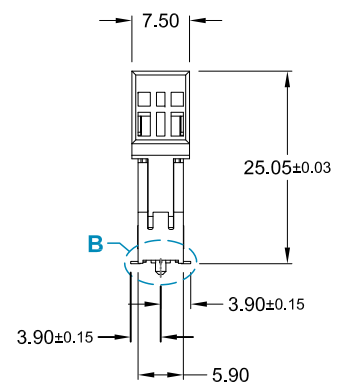
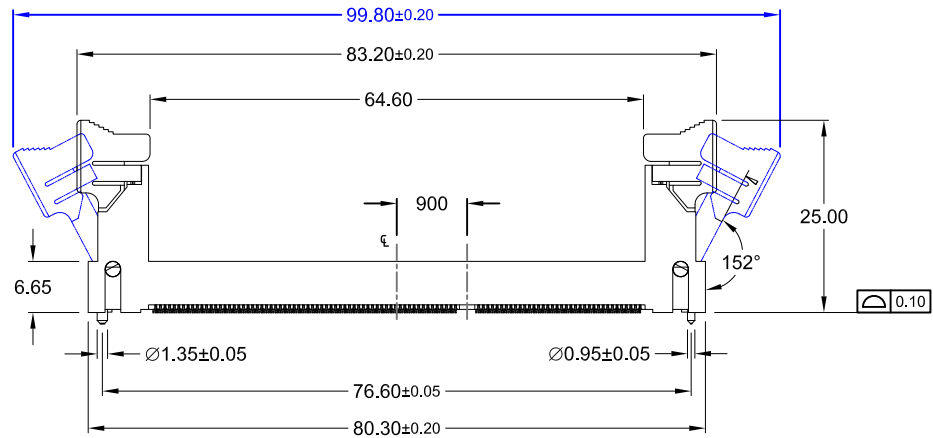


REV.	DESCRIPTION	DATE	DRAWN
A	New	12.12.2013	Ryan
B	general update	10.05.2019	Ronny



**Order Code**  
DMD-204-VLF9-55

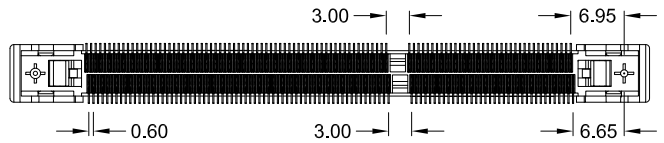


**Material**  
Contact: Phosphor Bronze  
Plating: Au on solder, Au flash on contact area  
Latch: PA9T (white) UL 94V-0  
Insulator: LCP (black) UL 94V-0

**Specifications**  
**Electrical**  
Current rating: 0.5A  
Insulation resistance: 1000MΩ min.  
Contact resistance: 35mΩ max.  
Voltage rating: 35V AC / contact  
Withstanding voltage: 500V AC

Operating temperature: -40°C to +80°C  
Processing temperature: +250°C ±0/-5°C  
for 20~40 seconds

Packing: Tray



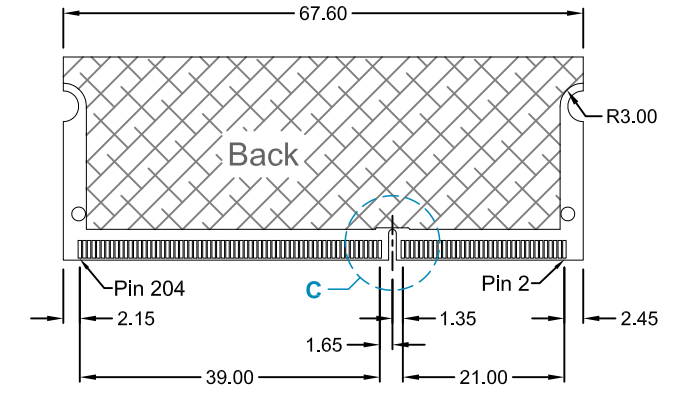
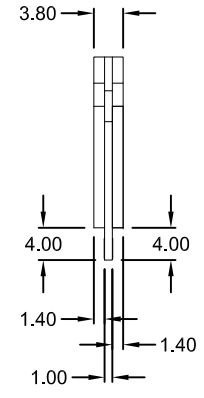
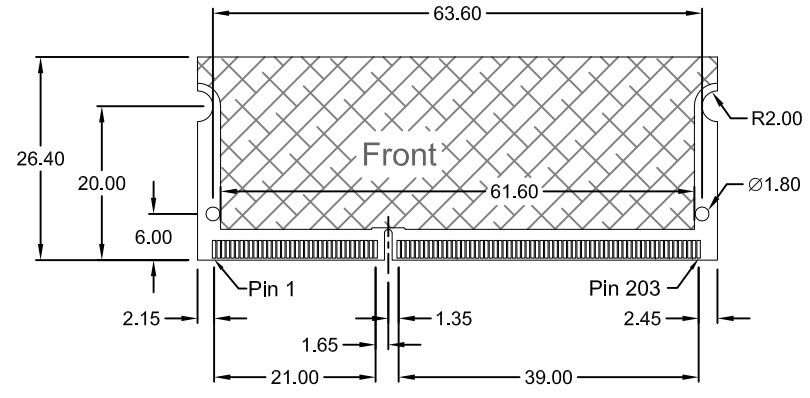
E-tec 2019 © - all rights reserved www.e-tec.asia



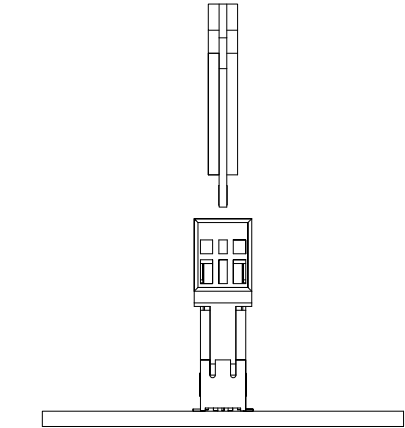
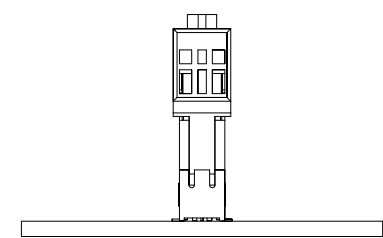
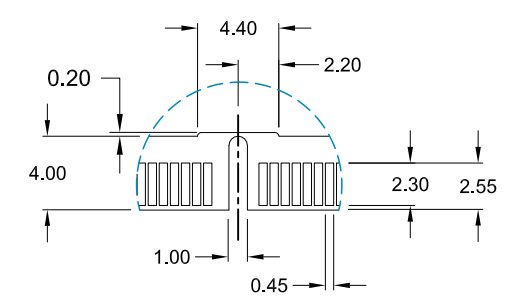
UNIT mm	GENERAL TOLERANCE		DRAWN Ryan	DATE 12.12.2013	DWG. NO. DMD-204-VLF9	SHEET 1/3				
	X.° ±	X. ±					CHECK Hogi	DATE 10.05.2019	SERIES NO. DMD-204-VLF9-xx	REV. B
	.X° ±	.X ± 0.10								
	.XX° ±	.XX ± 0.10								
.XXX° ±	.XXX ±									
SCALE Free			APPROVE Hogi	DATE 10.05.2019						

**DDR3 204 Contact "Socket"**  
-SMT- Vertical  
**1.5V "Standard Type"**

REV.	DESCRIPTION	DATE	DRAWN
A	New	12.12.2013	Ryan
B	general update	10.05.2019	Ronny



Detail C



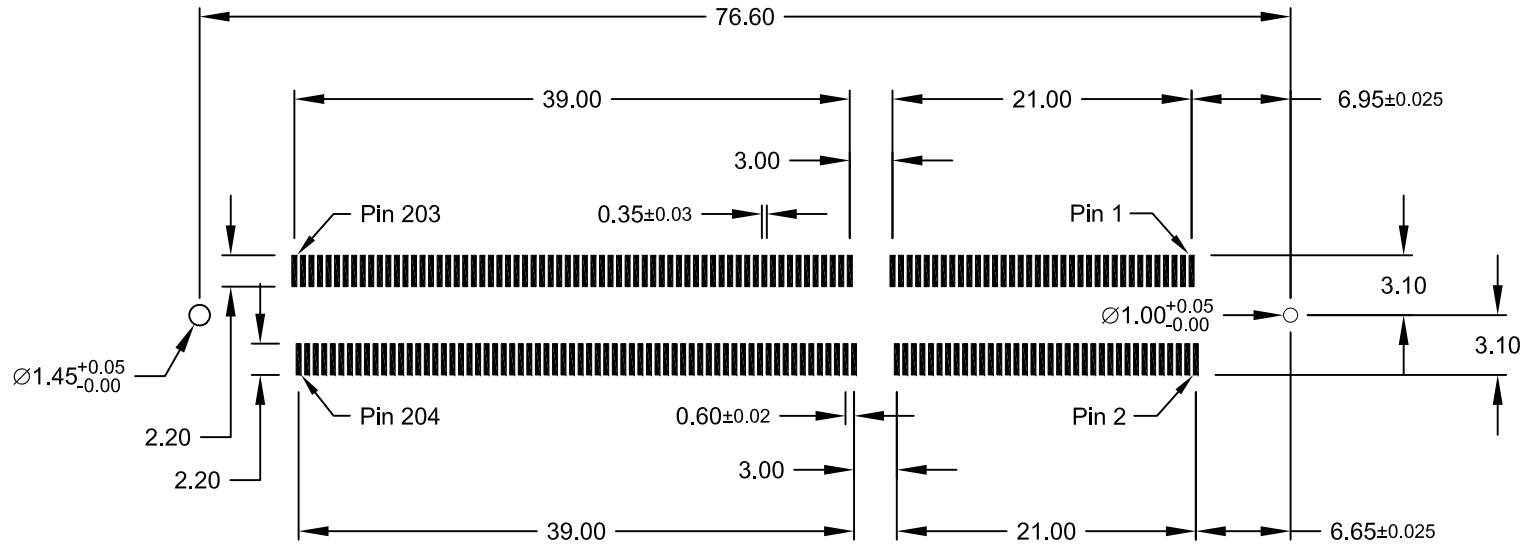
E-tec 2019 © - all rights reserved www.e-tec.asia



UNIT mm	GENERAL TOLERANCE		DRAWN Ryan	DATE 12.12.2013	DWG. NO. DMD-204-VLF9	SHEET 2/3	
	X.° ±	X. ±					
	SCALE Free	.X° ±	.X ±	CHECK Hogi	DATE 10.05.2019	SERIES NO. DMD-204-VLF9-xx	REV. B
		.XX° ±	.XX ± 0.10				
	.XXX° ±	.XXX ±	APPROVE Hogi	DATE 10.05.2019			

**DDR3 204 Contact "Modul"**  
for 1.5V "Standard Type" Socket  
DMD-204-VLF9-xx

REV.	DESCRIPTION	DATE	DRAWN
A	New	12.12.2013	Ryan
B	general update	10.05.2019	Ronny



Recommended PCB Layout Top View  
(Tolerance  $\pm 0.05$ )

E-tec 2019 © - all rights reserved www.e-tec.asia



UNIT	mm	GENERAL TOLERANCE		DRAWN	Ryan	DATE	12.12.2013	DWG. NO.	DMD-204-VLF9	SHEET 3/3
SCALE	Free	X° ±	X. ±	CHECK	Hogi	DATE	10.05.2019	SERIES NO.	DMD-204-VLF9-xx	REV. B
		.XX° ±	.XX ± 0.05	APPROVE	Hogi	DATE	10.05.2019			
		.XXX° ±	.XXX ±							

**DDR3 204 Contact "Layout"**  
for **1.5V "Standard Type" Socket**  
DMD-204-VLF9-xx