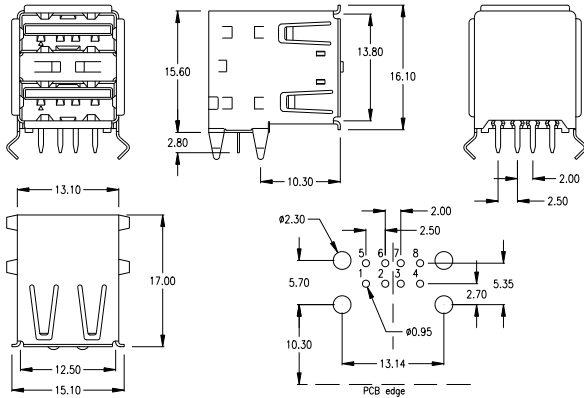


USS Series Multi Port USB Connector Type „A”



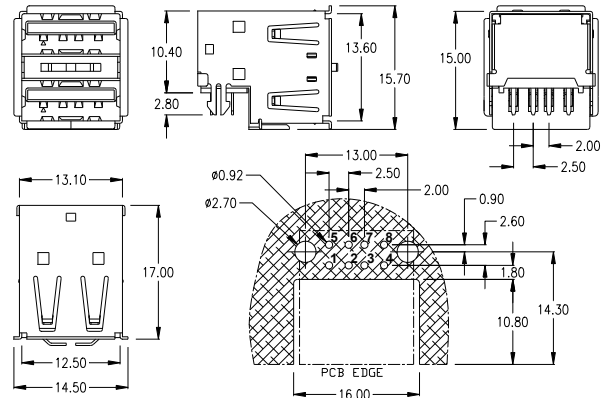
dual port right angle; soldertail



ORDER CODE:

USB 1.0 corresponding **USS - W08 - RA02 - 95** (- B08 - if black housing)
 USB 2.0 corresponding **USS - W08 - RA22 - 98** (- B08 - if black housing)

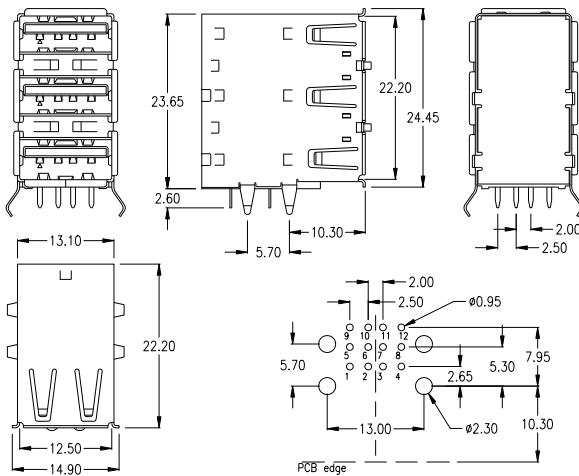
dual port "low profile" right angle; soldertail



ORDER CODE:

USB 1.0 corresponding **ULS - W08 - RA02 - 95** (- B08 - if black housing)
 USB 2.0 corresponding **ULS - W08 - RA22 - 98** (- B08 - if black housing)

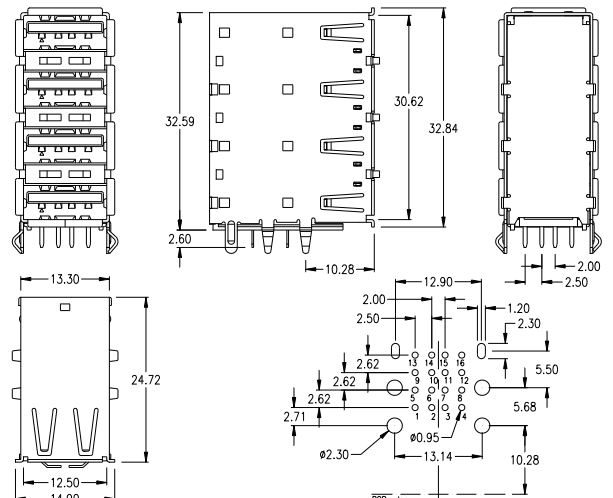
triple port right angle; soldertail



ORDER CODE:

USB 1.0 corresponding **USS - B12 - RA03 - 95** (- W12 - if white housing)
 USB 2.0 corresponding **USS - B12 - RA23 - 98** (- W12 - if white housing)

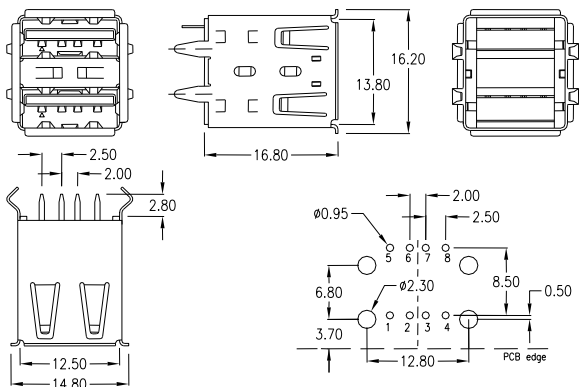
quad port right angle; soldertail



ORDER CODE:

USB 1.0 corresponding **USS - B16 - RA04 - 95** (- W16 - if white housing)
 USB 2.0 corresponding **USS - B16 - RA24 - 98** (- W16 - if white housing)

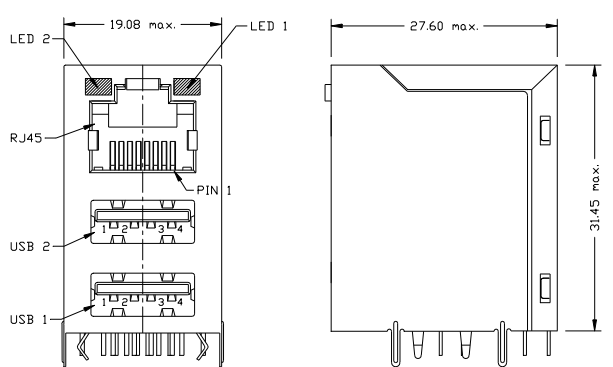
dual port "top entry"; soldertail



ORDER CODE:

USB 1.0 corresponding **USS - W08 - TA02 - 95** (- B08 - if black housing)
 USB 2.0 corresponding **USS - W08 - TA22 - 98** (- B08 - if black housing)

USB / RJ45 Combi Multi Port



E-tec also offers a USB / RJ45 Combi Multi Port as TX filtered transformer type with integrated LED. Datasheets of the different available variations can be obtained on www.e-tec.com or www.e-tec.asia or from your closest E-tec sales office.

Specification

Material

Contact (RoHS compliant) Phosphor Bronze
 Plating: Contact area Au flash over Ni (USB 1.0 corresponding)
 Au 30µ" over Ni (USB 2.0 corresponding)
 Solder area Sn (leadfree)
 Housing (RoHS compliant) PBT UL 94-V0
 Shell (RoHS compliant) Brass, 80µ"-120µ" Ni plated,
 120µ" min. Sn plated (quad port)

Mechanical

Mating cycles 1,500 min.

Electrical

Current rating 1.5 A max. 1 Contact (Signal only)
 Voltage rating 30V AC (rms)
 Withstanding voltage 750V AC (rms) 1 Minute (USB 1.0)
 500V AC (rms) 1 Minute (USB 2.0)
 Insulation resistance 1.000MQ min. (500V DC)
 Contact resistance 30mΩ max.

Others

Operating temperature -55° C to +85° C