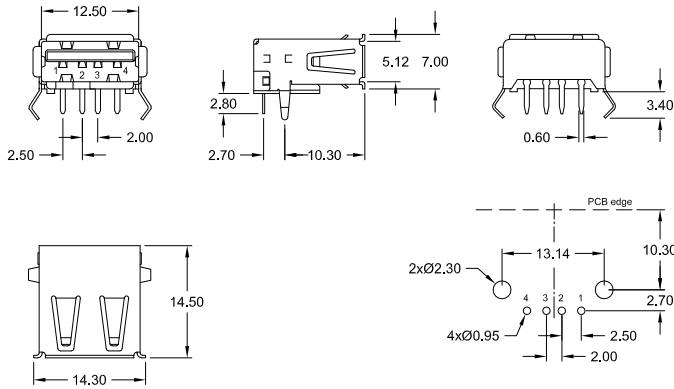


USS Series

USB Connector Type „A”



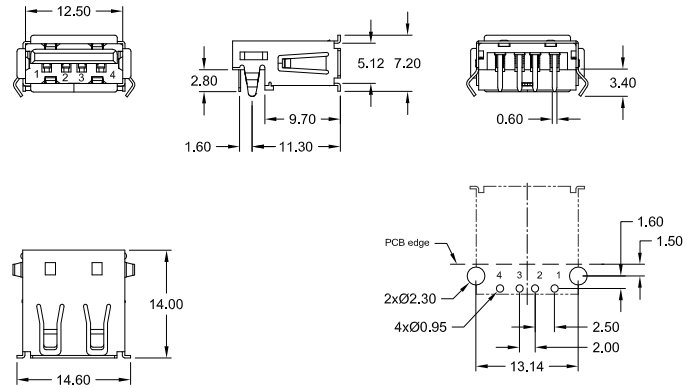
single port right angle; soldertail



ORDER CODE:

USB 1.0 corresponding **USS - W04 - RA01 - 95** (- B04 - if black housing)
 USB 2.0 corresponding **USS - W04 - RA21 - 98** (- B04 - if black housing)

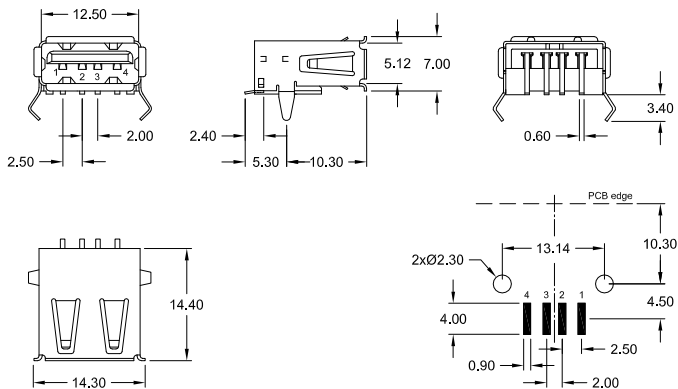
“low profile” single port right angle; soldertail



ORDER CODE:

USB 1.0 corresponding **ULS - W04 - RAS0 - 95** (- B04 - if black housing)
 USB 2.0 corresponding **ULS - W04 - RAS2 - 98** (- B04 - if black housing)

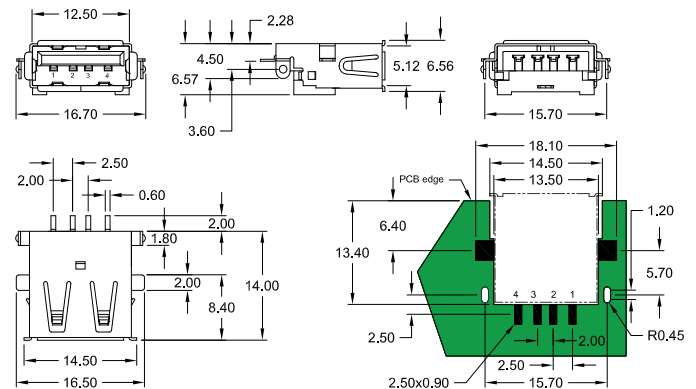
single port right angle; SMT



ORDER CODE:

USB 1.0 corresponding **USS - W04 - SAS0 - 95** (- B04 - if black housing)
 USB 2.0 corresponding **USS - W04 - SAS2 - 98** (- B04 - if black housing)
 Please contact your closest E-tec sales office for order code if reel packaging is required.

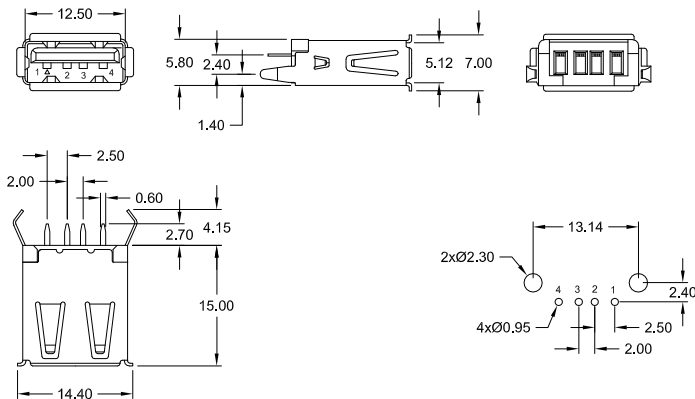
“embedded” single port right angle; SMT



ORDER CODE:

USB 1.0 corresponding **ULS - W04 - SAS0 - 95** (- B04 - if black housing)
 USB 2.0 corresponding **ULS - W04 - SAS2 - 98** (- B04 - if black housing)
 Please contact your closest E-tec sales office for order code if reel packaging is required.

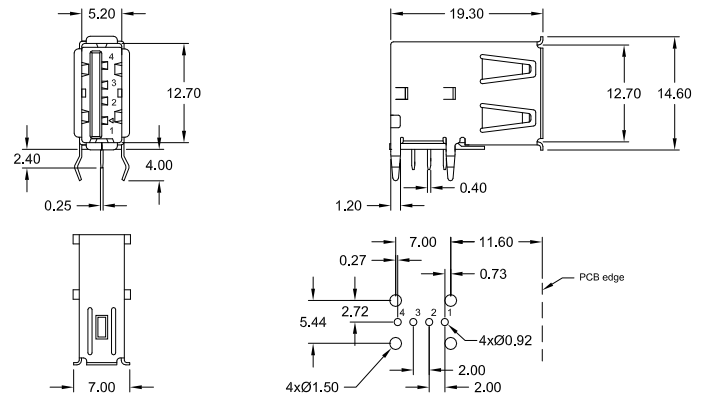
single port top entry; soldertail



ORDER CODE:

USB 1.0 corresponding **USS - W04 - TA01 - 95** (- B04 - if black housing)
 USB 2.0 corresponding **USS - W04 - TA21 - 98** (- B04 - if black housing)

single port vertical; soldertail „one line foot”



ORDER CODE:

USB 1.0 corresponding **USS - W04 - VA01 - 95** (- B04 - if black housing)
 USB 2.0 corresponding **USS - W04 - VA21 - 98** (- B04 - if black housing)

Specification

Material

Contact	(RoHS compliant)	Phosphor bronze
Plating:	Contact area	Au flash over Ni (USB 1.0 corresponding) Au 30μ” over Ni (USB 2.0 corresponding)
	Solder area	Sn (leadfree)
Housing	(RoHS compliant)	PBT white UL 94-V0 (PBT black on request)
SMT Housing	(RoHS compliant)	PA 9T UL 94-V0
Shell	(RoHS compliant)	brass, 80μ”-120μ” Ni plated

Mechanical

Mating cycles	1.500 min.
---------------	------------

Electrical

Current rating	1,5 A max. 1 Contact (Signal only)
Voltage rating	30V AC (rms)
Withstanding voltage	750V AC (rms) 1 Minute (USB 1.0) 500V AC (rms) 1 Minute (USB 2.0)
Insulation resistance	1.000MΩ min. (500V DC)
Contact resistance	30mΩ max.

Others

Operating temperature	-55° C to +85° C
Processing temp. for SMT type	+260° C for 10 sec. max.