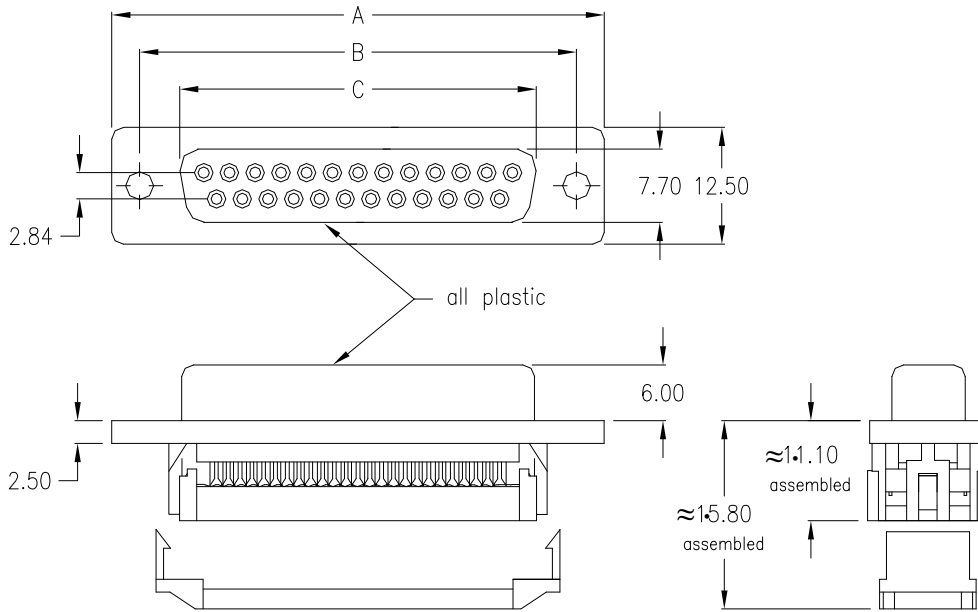
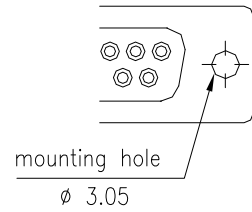




**female**



**Option:**



No. of contacts	Dimension		
	A	B	C
<b>009</b>	31.16 1.227	24.99 .984	16.00 .630
<b>015</b>	39.42 1.552	33.32 1.312	24.27 .955
<b>025</b>	53.34 2.100	47.04 1.852	38.22 1.505
<b>037</b>	69.68 2.743	63.50 2.500	54.65 2.152

Plating: **-95** = tin(leadfree)/gold

General Specification page 72

**Ordering Code**

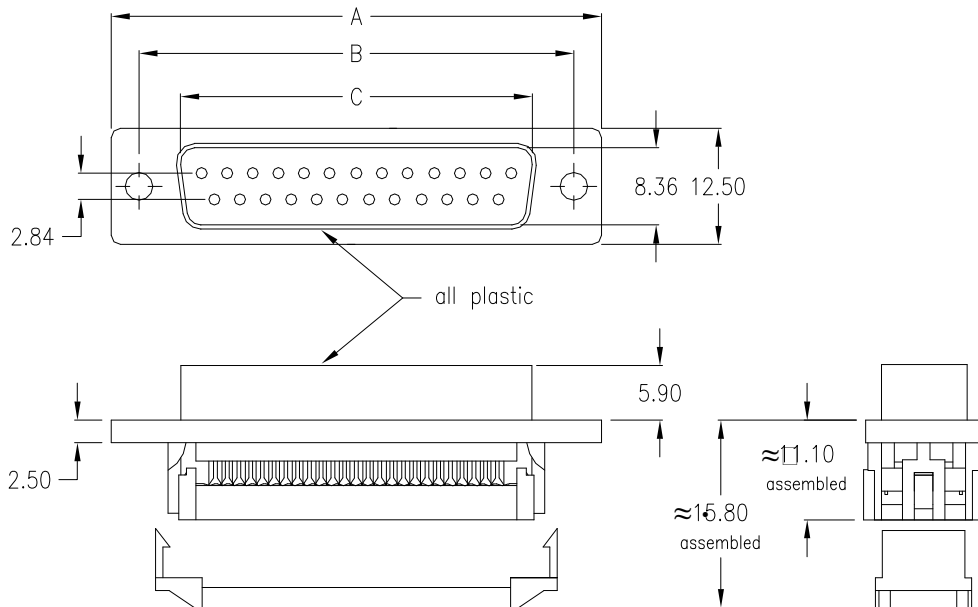
**SKF - xxx - S202 - 95 / XX**

No. of contacts

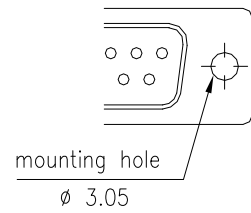
Option

**T0**

**male**



**Option:**



No. of contacts	Dimension		
	A	B	C
<b>009</b>	30.81 1.213	24.99 .984	16.92 .666
<b>015</b>	39.14 1.541	33.32 1.312	25.25 .994
<b>025</b>	53.04 2.088	47.04 1.852	38.96 1.534
<b>037</b>	69.32 2.729	63.50 2.500	55.42 2.182

Plating: **-95** = tin(leadfree)/gold

General Specification page 72

**Ordering Code**

**SKM - xxx - S202 - 95 / XX**

No. of contacts

Option

**T0**