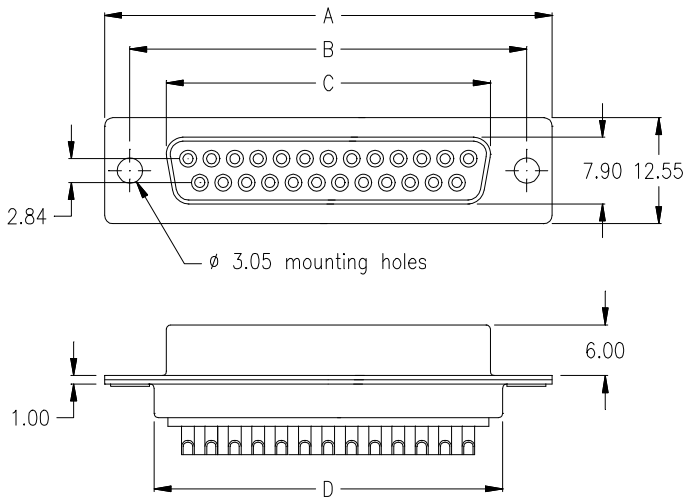
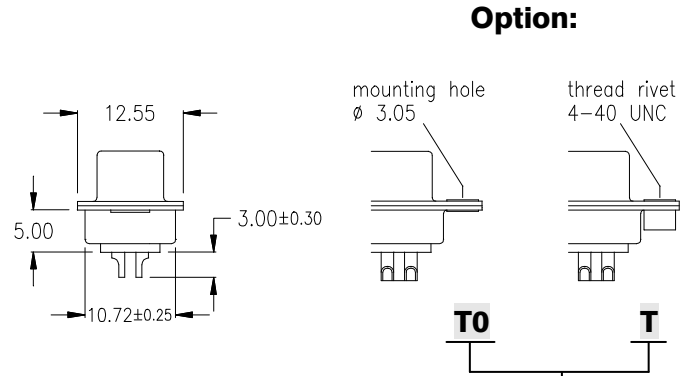


female



No. of contacts	Dimension			
	A	B	C	D
009	<u>30.81</u> 1.213	<u>24.99</u> .984	<u>16.33</u> .643	<u>19.28</u> .795
015	<u>39.14</u> 1.541	<u>33.32</u> 1.312	<u>24.66</u> .971	<u>27.51</u> 1.083
025	<u>53.04</u> 2.088	<u>47.04</u> 1.852	<u>38.38</u> 1.511	<u>41.30</u> 1.652
037	<u>69.32</u> 2.729	<u>63.50</u> 2.500	<u>54.84</u> 2.159	<u>57.40</u> 2.272



Option:

Ordering Code

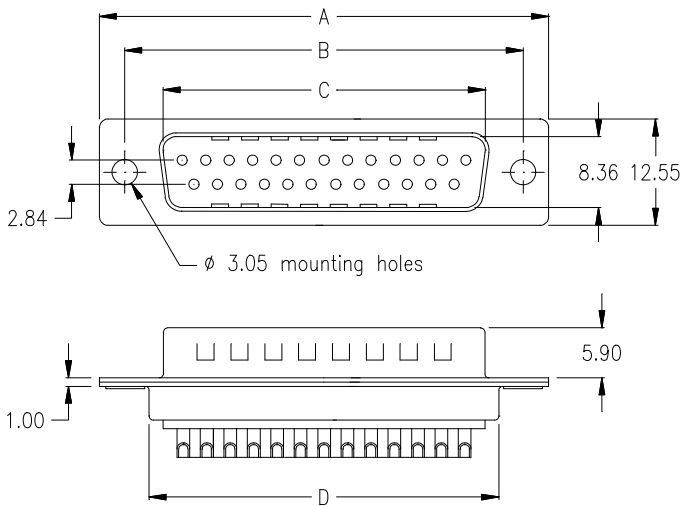
SDF - xxx - S101 - 95 / XX

No. of contacts Option

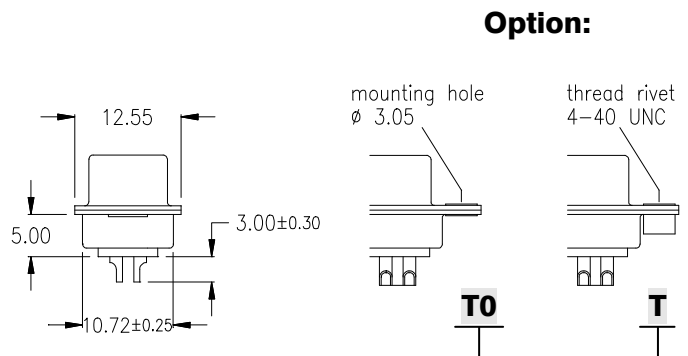
General Specification page 72

Plating: -95 = tin(leadfree)/gold

male



No. of contacts	Dimension			
	A	B	C	D
009	<u>30.81</u> 1.213	<u>24.99</u> .984	<u>16.92</u> .666	<u>19.28</u> .795
015	<u>39.14</u> 1.541	<u>33.32</u> 1.312	<u>25.25</u> .994	<u>27.51</u> 1.083
025	<u>53.04</u> 2.088	<u>47.04</u> 1.852	<u>38.96</u> 1.534	<u>41.30</u> 1.652
037	<u>69.32</u> 2.729	<u>63.50</u> 2.500	<u>55.42</u> 2.182	<u>57.40</u> 2.272



Option:

Ordering Code

SDM - xxx - S101 - 95 / XX

No. of contacts Option

General Specification page 72

Plating: -95 = tin(leadfree)/gold