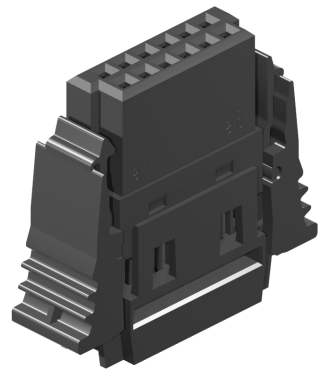
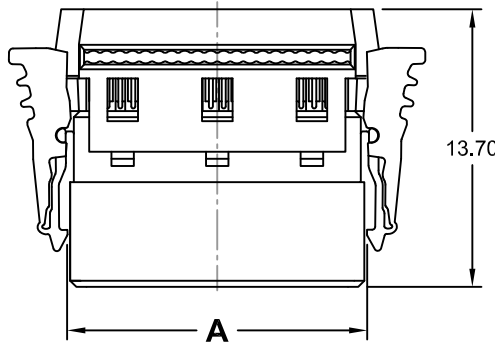
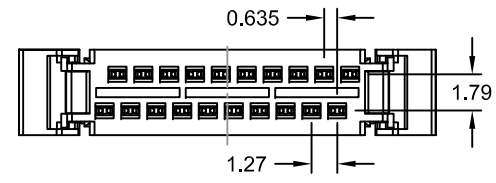
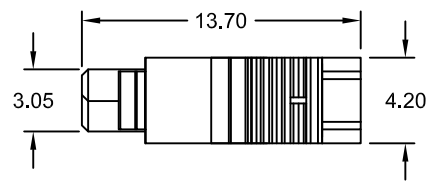
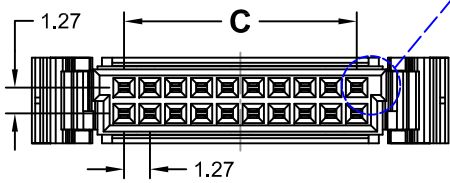
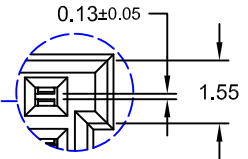


REV.	DESCRIPTION	DATE	DRAWN
A	New	13.03.2018	Cherry
C	general update	23.01.2019	Ronny
D	add wire AWG #30, delete Plating:95 & 9L5	31.12.2019	Ryan
E	general update	02.03.2020	Ronny

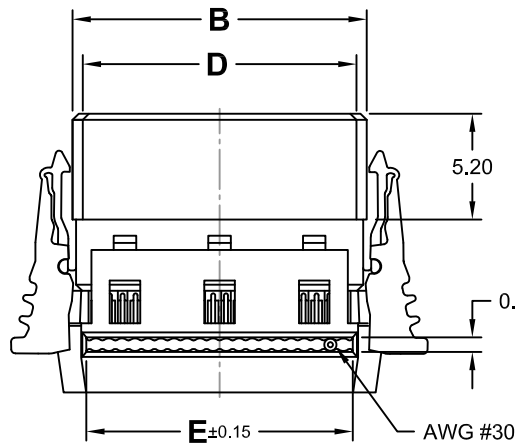


Order Code
MBC-xxx-BIC52-xx/11L

Plating
96 = Tin/10µ" Gold
97 = Tin/15µ" Gold
98 = Tin/30µ" Gold



No. of Contacts	Dimension mm				
	A	B	C	D	E
010	8.17	8.10	5.08	7.10	6.59
012	9.44	9.37	6.35	8.37	7.86
016	11.98	11.91	8.89	10.91	10.40
020	14.52	14.45	11.43	13.45	12.94
026	18.33	18.26	15.24	17.26	16.75
030	20.87	20.80	17.78	19.80	19.29
032	22.14	22.07	19.05	21.07	20.56
040	27.22	27.15	24.13	26.15	25.64
050	33.57	33.50	30.48	32.50	31.99
068	45.00	44.93	41.91	43.93	43.42
080	52.62	52.55	49.53	51.55	51.04



Material
Contact: Copper Alloy
Plating: Tin on solder, Gold on contact area
Insulator: High Temperature Thermoplastic (black)
UL 94V-0

Operating temperature: -55°C to +125°C

Packing: Tray

Specifications

Electrical
Current rating: 0.5 ~ 1.0A
Insulation resistance: 10000MΩ min.
Contact resistance: 25mΩ max.
Withstanding voltage: 500V

E-tec 2020 © - all rights reserved www.e-tec.asia



UNIT mm	GENERAL TOLERANCE		DRAWN Ronny	DATE 03.05.2017	DWG. NO. MBC-BIC52/11	SHEET 1/1
	X.° ±	X. ±				
	SCALE Free	X.° ±	.X ±	CHECK Ronny	DATE 02.03.2020	REV. E
		.XX° ±	.XX ± 0.25	APPROVE Fagi	DATE 02.03.2020	SERIES NO. MBC-xxx-BIC52-xx/11L
.XXX° ±		.XXX ±				

Multi BUS/Backplane Connector
Female - IDC - Plug
1.27mm Pitch - Height 5.20mm
Compatible to ERNI INTERact® Series SMC Type