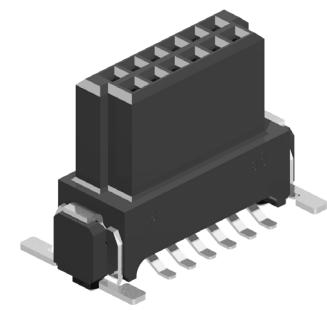
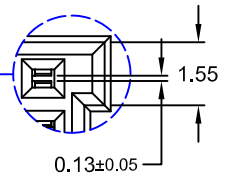
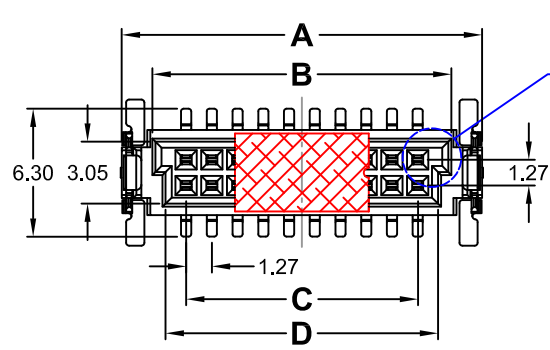


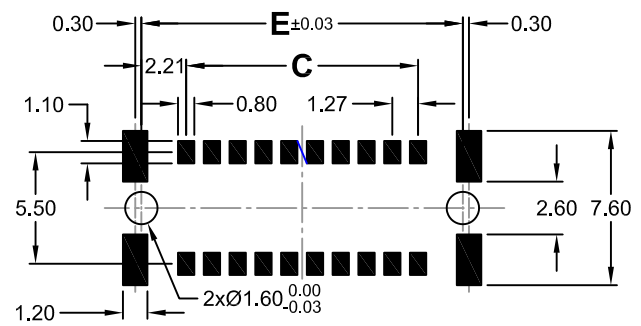
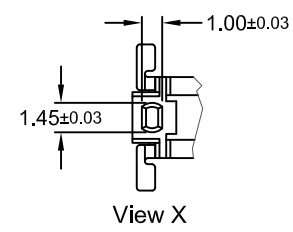
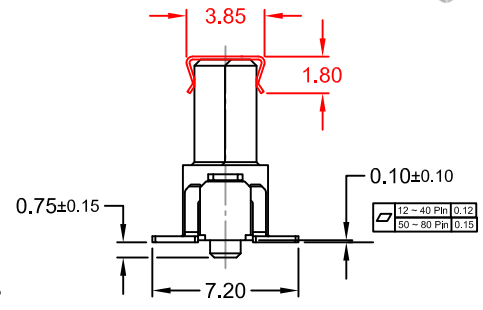
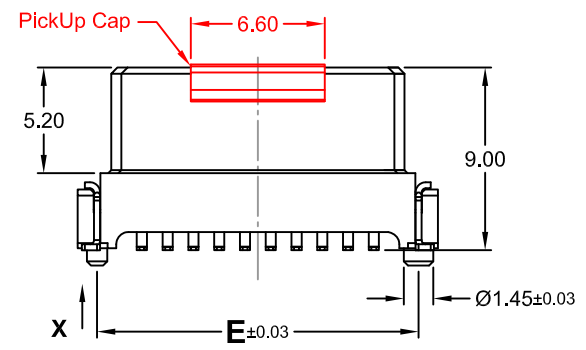
REV.	DESCRIPTION	DATE	DRAWN
A	New	05.12.2013	Ronny
B	general update & correct Specification	16.11.2017	Cherry
C	general update	10.09.2018	RH
D	general update	23.01.2019	Ronny
E	Remove Plating Options 95 and 9L5	21.01.2020	Cheng



**Order Code**  
MBC-xxx-BFV90-xx/11E

Plating  
**96** = Tin/10µ" Gold  
**97** = Tin/15µ" Gold  
**98** = Tin/30µ" Gold

No. of Contacts	Dimension mm				
	A	B	C	D	E
<b>012</b>	12.70	9.37	6.35	8.37	10.77
<b>016</b>	15.24	11.91	8.89	10.91	13.31
<b>020</b>	17.78	14.45	11.43	13.45	15.85
<b>026</b>	21.59	18.26	15.24	17.26	19.66
<b>032</b>	25.40	22.07	19.05	21.07	23.47
<b>040</b>	30.48	27.15	24.13	26.15	28.55
<b>050</b>	36.83	33.50	30.48	32.50	34.90
<b>068</b>	48.26	44.93	41.91	43.93	46.33
<b>080</b>	55.88	52.55	49.53	51.55	53.95



Recommended PCB Layout Top View  
(Tolerance ±0.05)

**Specifications**

**Electrical**  
 Current rating: 0.5 ~ 1.0A  
 Insulation resistance: 10000MΩ min.  
 Contact resistance: 25mΩ max.  
 Withstanding voltage: 500V



**Material**

Contact: Copper Alloy  
 Plating: Tin on solder, Gold on contact area  
 Insulator: High Temperature Thermoplastic (black)  
 UL 94V-0

Operating temperature: -55°C to +125°C  
 Processing temperature: +260°C +0/-5°C  
 for 5 seconds

**Packing:** Reel with PickUp Cap



UNIT	GENERAL TOLERANCE		DRAWN	DATE	DWG. NO.	SHEET 1/1
mm	X.° ±	X. ±	Ronny	05.12.2013	MBC-BFV90/11	
SCALE	.XX° ±	.X ±	CHECK	DATE		REV. E
Free	.XX° ±	.XX ± 0.25	APPROVE	DATE	SERIES NO.	
	.XXX° ±	.XXX ±	Fagi	21.01.2020	MBC-xxx-BFV90-xx/11E	

**Multi BUS/Backplane Connector**  
**B-Type Female SMT vertical**  
 1.27mm Pitch - Height 9.00mm  
*Compatible to ERNI INTERact® Series SMC Type*