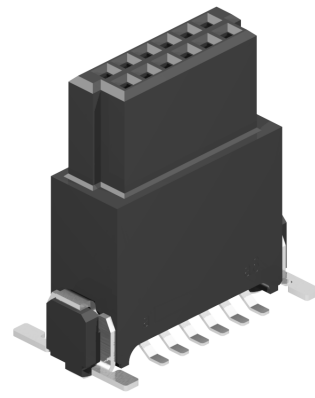
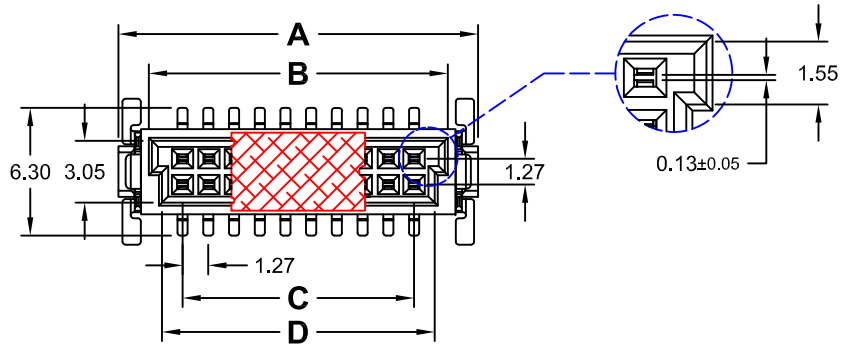


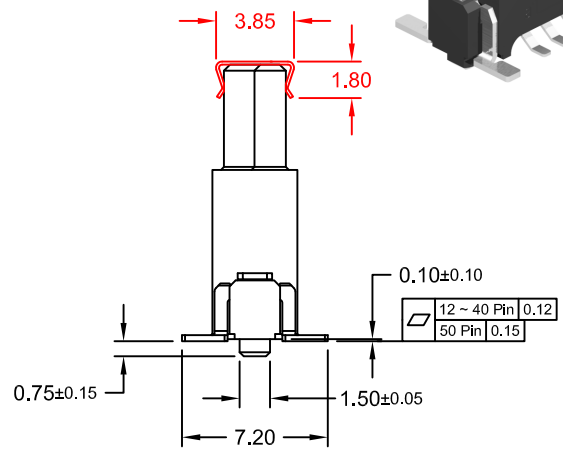
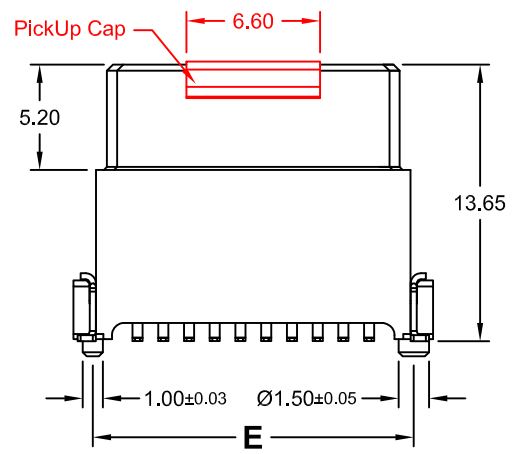
REV.	DESCRIPTION	DATE	DRAWN
A	New	03.05.2017	Ronny
B	general update	10.09.2018	RH
C	general update	23.01.2019	Ronny
D	delete Plating 95 & 9L5, general update	02.03.2020	Ronny



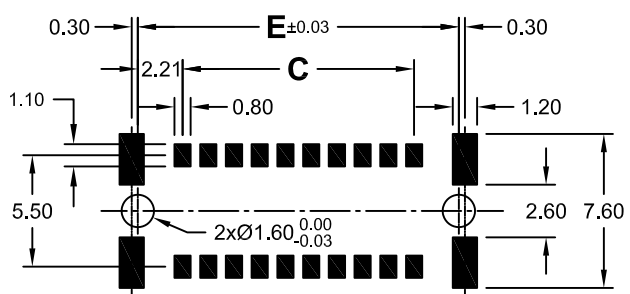
Order Code
MBC-xxx-BFV136-xx/11E

Plating

- 96 = Tin/10µ" Gold
- 97 = Tin/15µ" Gold
- 98 = Tin/30µ" Gold



No. of Contacts	Dimension mm				
	A	B	C	D	E
012	12,70	9,37	6,35	8,37	10,77
016	15,24	11,91	8,89	10,91	13,31
026	21,59	18,26	15,24	17,26	19,66
032	25,40	22,07	19,05	21,07	23,47
040	30,48	27,15	24,13	26,15	28,55
050	36,83	33,50	30,48	32,50	34,90



Recommended PCB Layout Top View
(Tolerance ±0.05)



Material

Contact: Copper Alloy
Plating: Tin on solder, Gold on contact area
Insulator: High Temperature Thermoplastic (black)
UL 94V-0

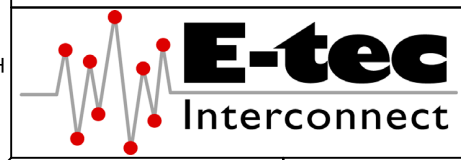
Specifications

Electrical
Current rating: 0.5 ~ 1.0A
Insulation resistance: 10000MΩ min.
Contact resistance: 25mΩ max.
Withstanding voltage: 500V

Operating temperature: -55°C to +125°C
Processing temperature: +260°C +0/-5°C
for 5 seconds

Packing: Reel with PickUp Cap

E-tec 2020 © - all rights reserved www.e-tec.asia



UNIT mm	GENERAL TOLERANCE		DRAWN Ronny	DATE 03.05.2017	DWG. NO. MBC-BFV136/11	SHEET 1/1	Multi BUS/Backplane Connector									
	SCALE Free	X° ±						X. ±	CHECK Ronny	DATE 02.03.2020	REV. D	B-Type Female SMT vertical				
		.X° ±						.XX ± 0.25					APPROVE Fagi	DATE 02.03.2020	SERIES NO. MBC-xxx-BFV136-xx/11E	1.27mm Pitch - Height 13.65mm
		.XX° ±						.XXX ±								
.XXX° ±		.XXX ±														